

# LDA SWIRL

WATER-SUPPLIED  
AIR HEATER



## Design air heater for grid type ceilings

The Mark LDA SWIRL design water-supplied air heater has been developed to fit into 600x600 grid type ceilings. The unit is easy to install due to its compact dimensions and is also perfectly suitable for rooms with low ceilings. Of course it is also easy to install as a free hanging unit.

Due to the modulating EC fan, the Mark LDA SWIRL is available for a wide range of air volumes and heating capacities. The EC fan also ensures a quiet and energy efficient unit.

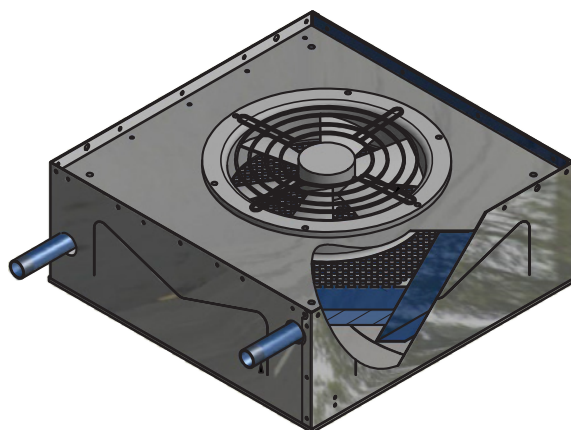
The LDA is designed for use in stores, offices and hospitals.

#### Features:

- RAL 9010 powder coating (other colours on request)
- Low maintenance
- Silent
- Pleasant air diffusion
- Attractive appearance
- Low energy consumption
- 0-10V control



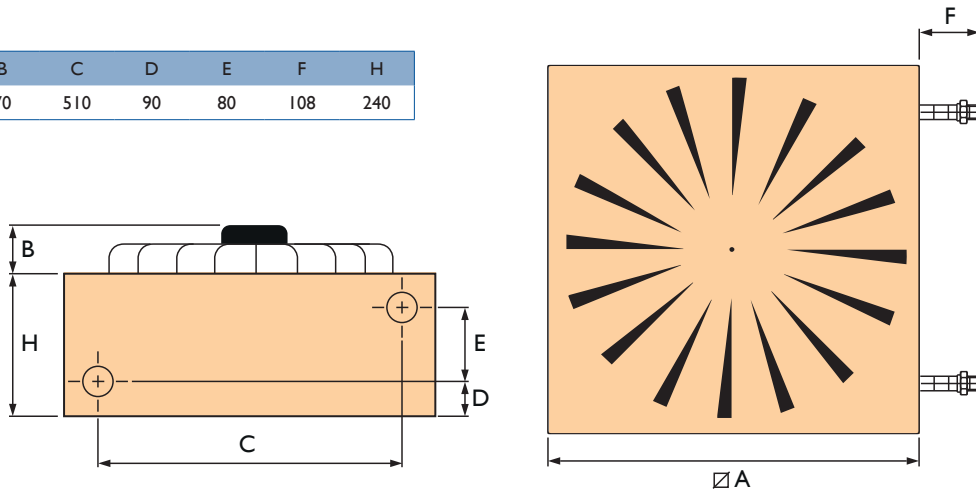
Remote connection possible with the PinTherm Connect!



**mark**<sup>®</sup>

# Dimensions

A	B	C	D	E	F	H
592	70	510	90	80	108	240



# Technical information

Air displacement <i>m³/h</i>	Heat delivery 90/70 T15		Heat delivery 80/60 T16		Heat delivery 60/40 T15		Heat delivery 45/38 T15		Throw <i>m</i>	Noise level <i>dB(A)</i>
	W		W		W		W			
	LDA 211	LDA 221	LDA 211	LDA 221	LDA 211	LDA 221	LDA 211	LDA 221		
500	4300	6750	3500	5560	2000	3400	1700	2720	3	26
750	5400	8640	4500	7290	2500	4300	2200	3560	4,5	31
1000	6400	10430	5200	8580	2900	5040	2500	4100	6	33
1250	7200	11950	5900	9910	3200	5690	2900	4872	8	33
1500	8000	13520	6500	11110	3600	6480	3100	5270	9,5	35
1750	8600	14700	7000	12180	3800	6950	3400	5850	11	36
2000	9200	15910	7500	13120	4100	7540	3600	6260	13	42

- Water connection: 1" male thread
- Water resistance T15: 5 kPa
- Weight: 13 kg
- 1 Phase 230 V

# Assembly/location suggestions

