



Ceiling cassette unit for heating and cooling

The Mark TANNER CLA is a water-supplied air heater intended for installation in a suspended ceiling. The cassette unit is equipped with an EC motor.

The CLA has the same appearance as the internal part of a split air conditioning unit. The unit can also be fitted with a design plate in color that is suitable for placement in rooms where high-quality requirements are imposed on interior architecture.

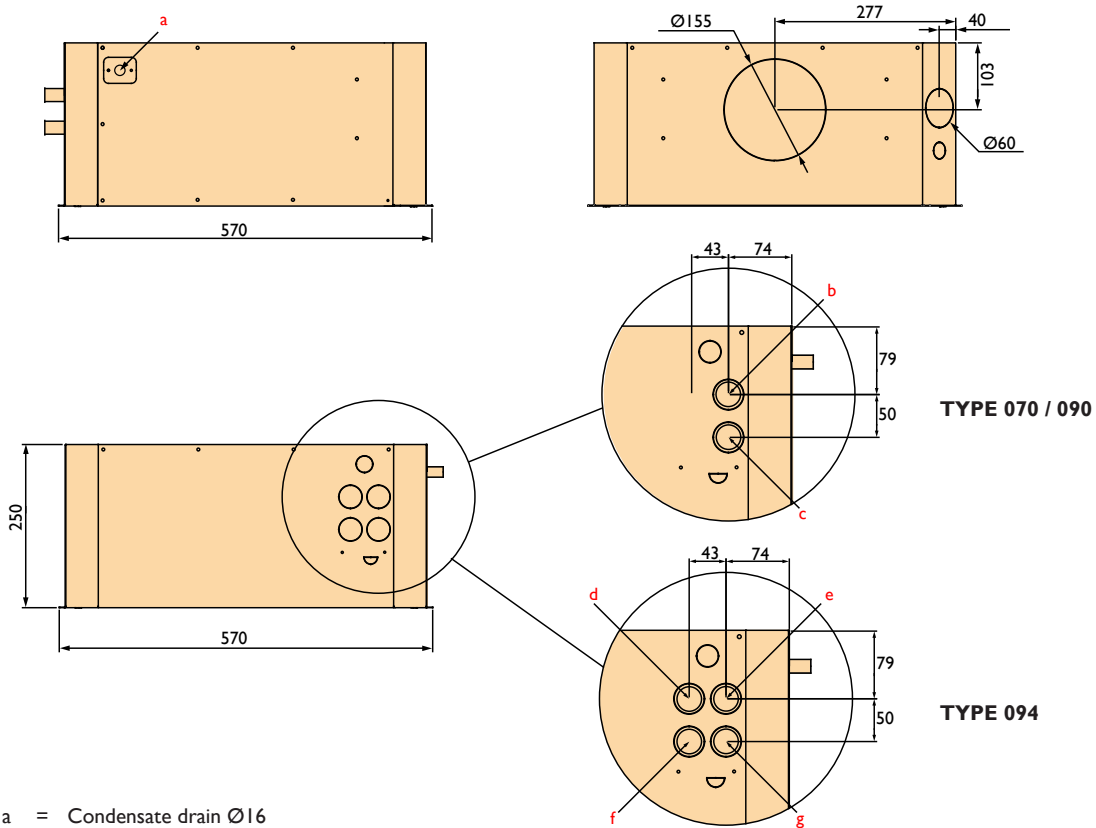
The CLA is applicable in, for example, showrooms, offices, changing rooms and shops.

Characteristics

- Modern design
- Low maintenance
- Powerful energy-efficient EC motor
- Quiet
- Built-in protected condensate pump
- Available with one or two water circuits

Dimensions

TYPE 070/090/094



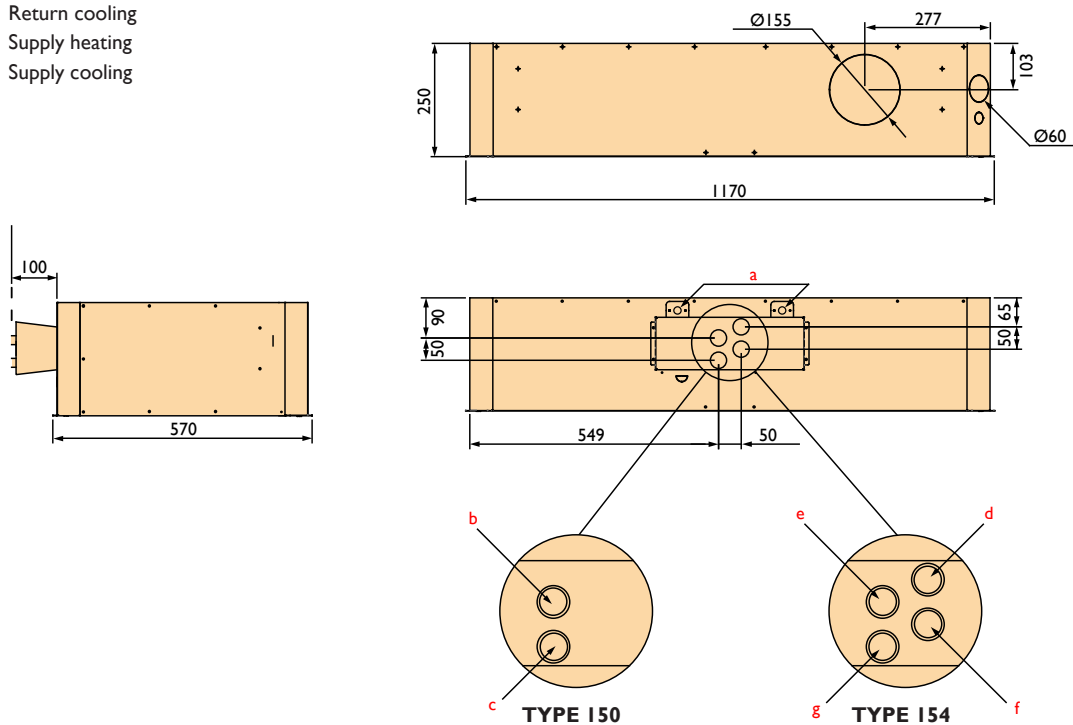
TYP 070 / 090 / 150 (2-pipe)

- b = Return
- c = Supply

TYP 094 / 154 (4-pipe)

- d = Return heating
- e = Return cooling
- f = Supply heating
- g = Supply cooling

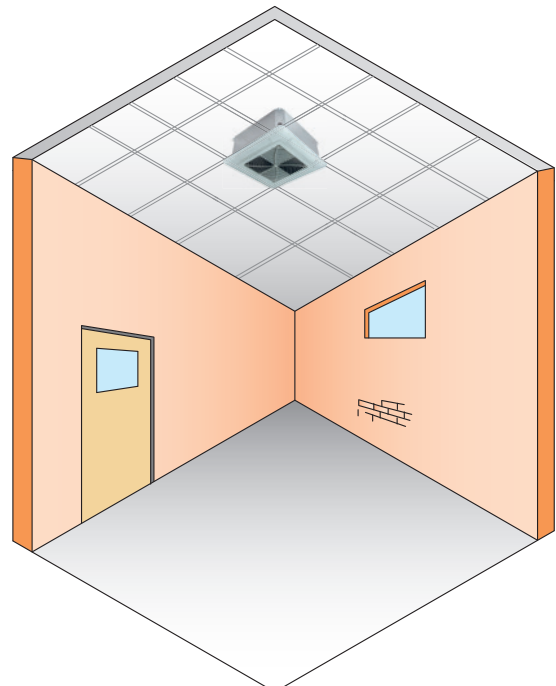
TYPE 150/154



Type		070	090	094	150	154
Total cooling capacity	H - kW (10V)	4,25	6,07	4,82	11,24	8,87
	M - kW (6V)	2,98	4,01	3,30	9,77	7,80
	L - kW (2V)	1,52	1,89	1,58	6,41	5,33
Sensible cooling capacity	H - kW (10V)	2,74	4,01	3,16	7,22	5,66
	M - kW (6V)	1,93	2,69	2,19	6,29	4,99
	L - kW (2V)	1,03	1,28	1,12	4,17	3,43
Water flow	l/h (10V)	729	1041	827	1928	1522
Pressure drop	kPa	36,9	9,0	16,2	16,7	28,8
Heating capacity*	H - kW (10V)	5,89	8,16	8,54	14,96	15,38
	M - kW (6V)	4,07	5,35	6,03	12,91	13,64
	L - kW (2V)	2,10	2,50	3,24	8,32	9,57
Water flow*	l/h (10V)	259	359	188	657	338
Heating capacity**	H - kW (10V)	5,45	7,47	7,19	13,20	12,54
	M - kW (6V)	3,77	4,90	5,08	11,39	11,12
	L - kW (2V)	1,94	2,29	2,73	7,34	7,80
Water flow**	l/h (10V)	729	1041	632	1928	1101
Pressure drop	kPa	35	8,30	22,1	15,7	43,4
Air amount	H - m ³ /h (10V)	980	980	980	1620	1620
	M - m ³ /h (6V)	590	590	590	1360	1360
	L - m ³ /hs (2V)	250	250	250	820	820
Sound level	dB(A) (10V)	50	50	50	51	51
Supply voltage	V/Ph/Hz	210-230/1/50-60				
Power consumption	W (10V)	41	45	45	85	85
Current consumption	A (10V)	0,36	0,42	0,42	0,55	0,55
Water connections	Nr. x "	2 x 3/4"F	2 x 3/4"F	4 x 3/4"F	2 x 3/4"F	4 x 3/4"F
Weight	kg	17	18	18,5	36	37

H = high speed, M = medium speed, L = low speed
 Water temperature cooling: 7/12°C, T=27, rh=50
 * Water temperature heating: 60/40°C, T=20
 ** Water temperature heating: 50/43°C, T=20

Assembly/location suggestions



Controls

