



The high-efficiency boiler of Mark

The Mark POWERFLEX is a very compact and sustainable high-efficiency boiler for industrial use. Available in capacities from 340 kW to 600 kW.

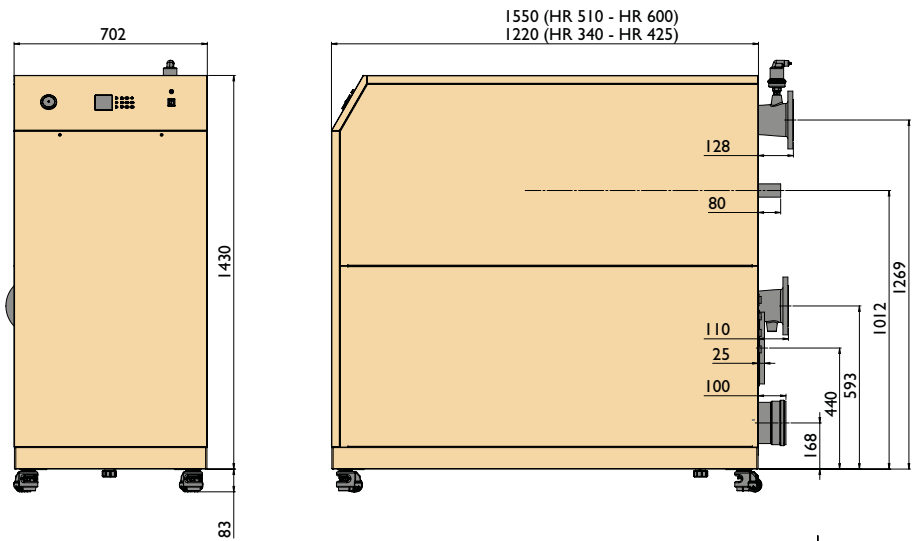
The POWERFLEX is suitable to heat offices, garages, warehouses, apartment buildings, workshops, distribution centers and showrooms.

For a complete heating solution from Mark it is also possible to combine the POWERFLEX boiler with water-supplied products such as the TANNER MDA and INFRA AQUA ECO.

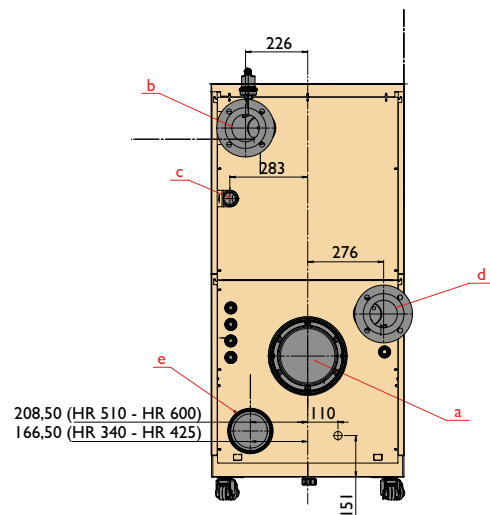
Benefits

- Competitive pricing
- Proven and innovative technology
- Cast aluminum heat exchanger
- Robust
- Low-noise
- Advanced diagnostic system
- Very low maintenance interval
- Low service interval
- Integrated pump control
- Closed version available
- Cascade control already integrated
- Weather-dependant control
- Control:
 - On/off thermostat
 - OpenTherm
 - BMS 0-10V control

Dimensions



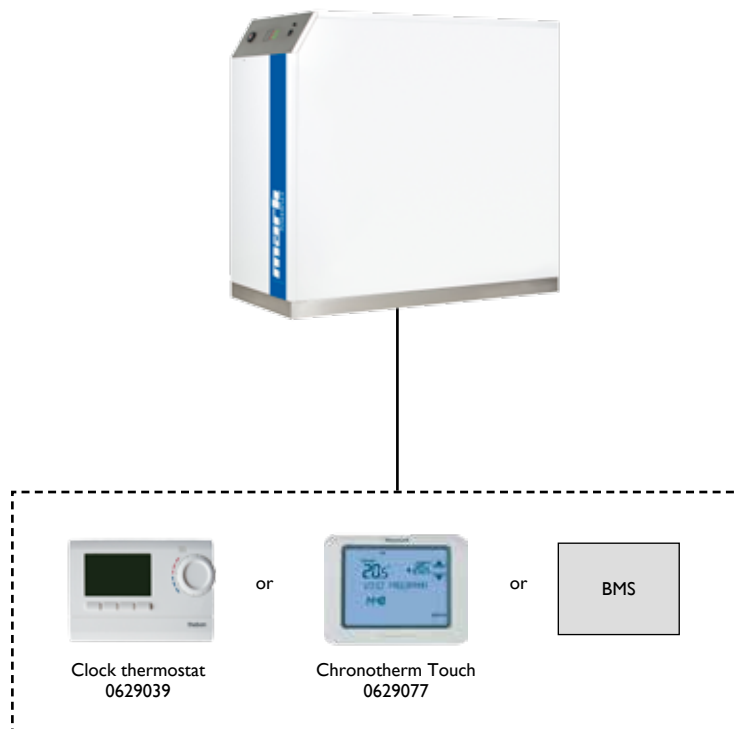
- a = Flue gas \varnothing 250mm
- b = Supply DN100 PN6
- c = Gas connection R1,5"
- d = Return DN100 PN6
- e = Combustion air inlet \varnothing 150mm



Technical information

POWERFLEX		HR 340	HR 425	HR 510	HR 600
Nominal input	kW	340	425	510	600
Efficiency	%	107	107	107,5	107,5
Operating pressure	bar	6	6	6	6
Weight	kg	330	365	429	464
Flange manifold 2 x		5,74	5,74	5,74	5,74
Supply voltage		230V 1F ~50 Hz			

Controls



Prices Mark POWERFLEX

PRODUCT - POWERFLEX - NATURAL GAS G25



Code nr.	Description	Price
5970010	PowerFlex HR 340	€ 19476
5970011	PowerFlex HR 425	€ 22902
5970012	PowerFlex HR 510	€ 24165
5970013	PowerFlex HR 600	€ 26870

Other gas types on request.

ACCESSOIRES - CONTROLS



Code nr.	Description	Price
0629077	Chronotherm Touch (modulating) thermostat	€ 254
0629039	Clock thermostat (1A)	€ 327

Circulation pump on request