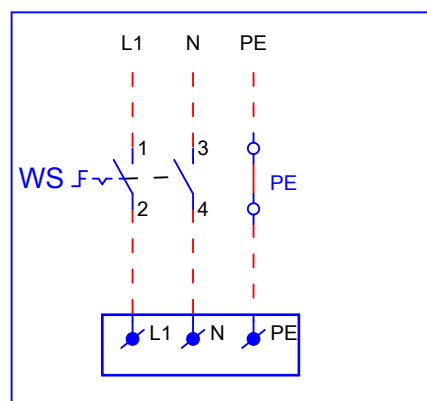
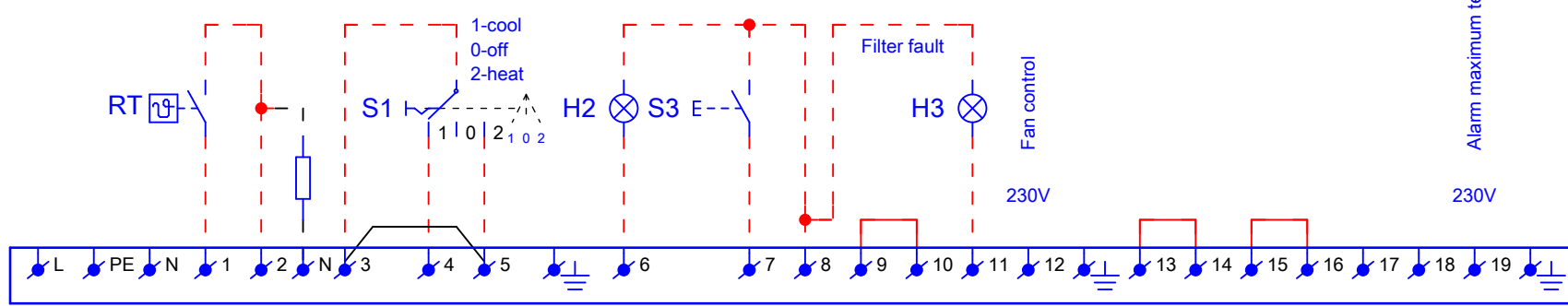
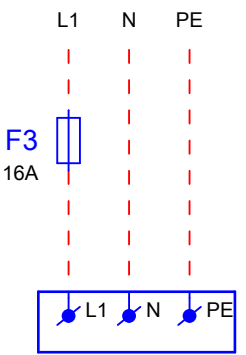


Connection with isolator switch

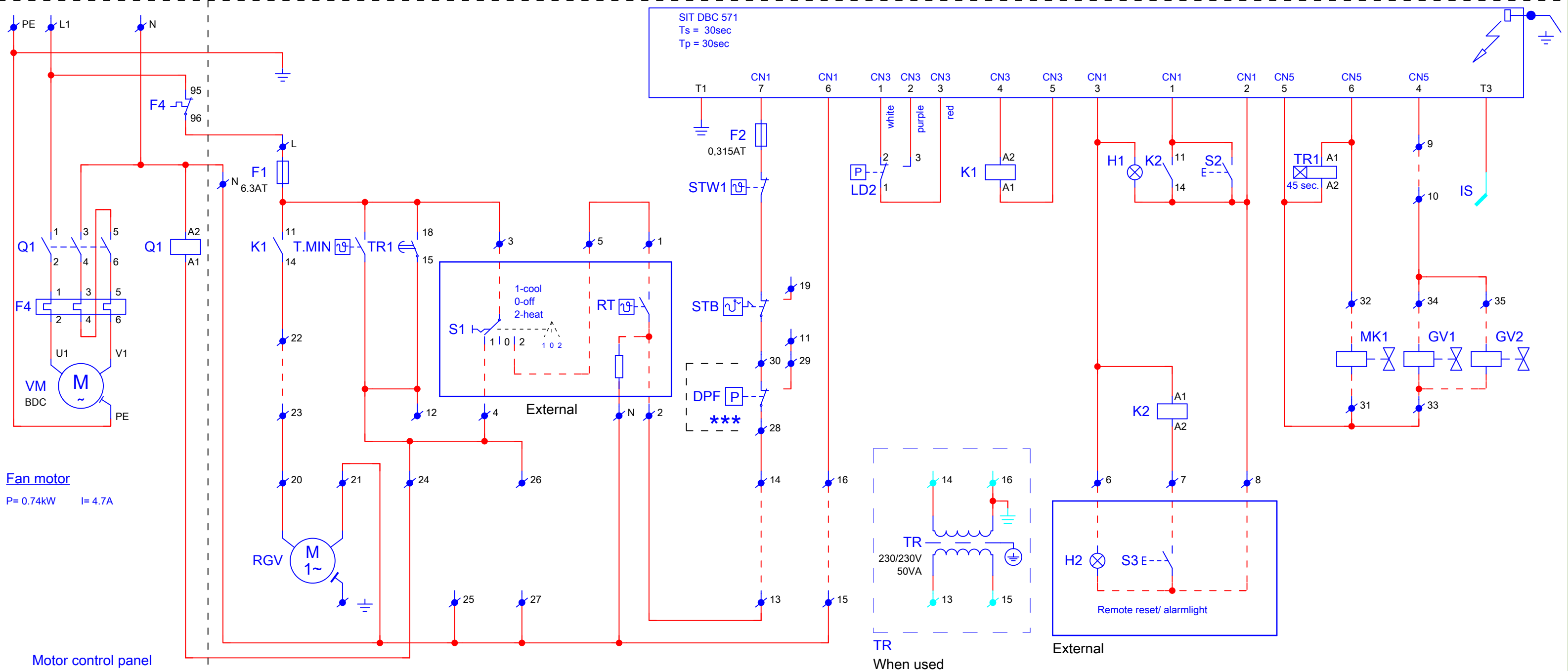


Power supply  
1~ 230V + N + PE / 50Hz



External connections

- DPF - Filter pressure switch
- F1,F2,F3 - Fuse
- F4 - Thermal contact
- GV1/GV2 - Gasvalve
- H1,H2,H3 - Alarm light
- IS - Ionisation
- K1, K2 - Auxillary relay
- LD2 - pressure switch
- MK1 - Pilot gas valve
- RGV - Fluefan
- RT - Room thermostat
- S1 - Selector switch
- S2,S3 - Reset button
- STB - Safety thermostat
- STW1 - Maximum thermostat
- T.MIN - Minimal thermostat
- TR - Transformer
- TR1 - Time relay
- VM - Fan motor
- WS - Isolator switch



Fan motor  
P= 0.74kW I= 4.7A

Motor control panel



\*\*\* For heaters with filters

GS/GC

Electrical drawing

Drawing number

WLV-014002-EN

Get.	S.N.	Date	23-12-2011
Gec.		Norm	

Group	WLV
Art.nr.	

Type	GS/GC
Version	1.3