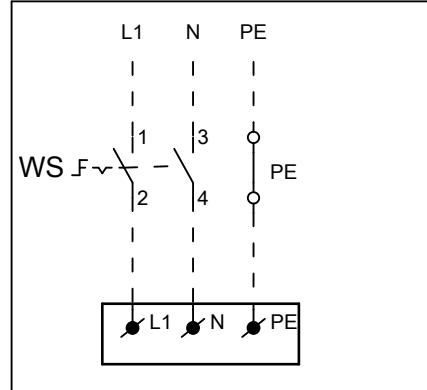
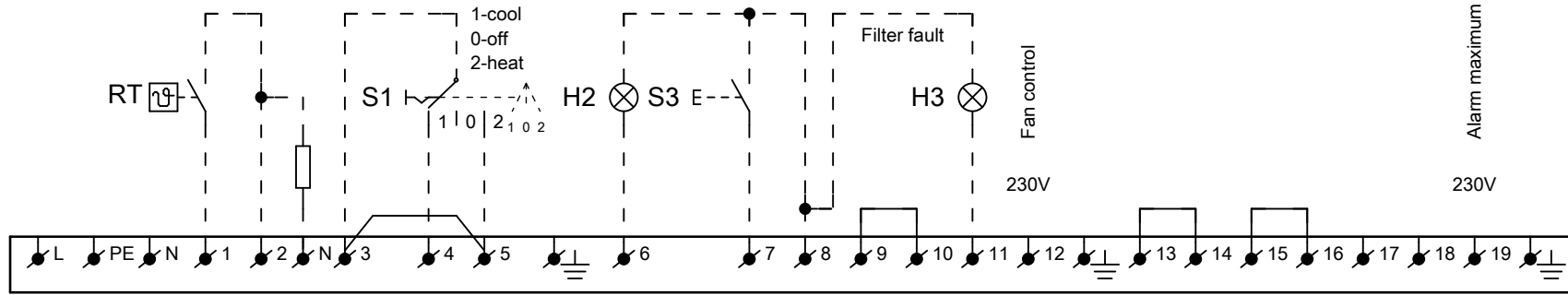
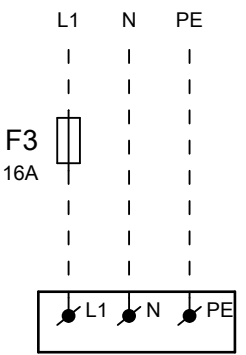


Connection with isolator switch



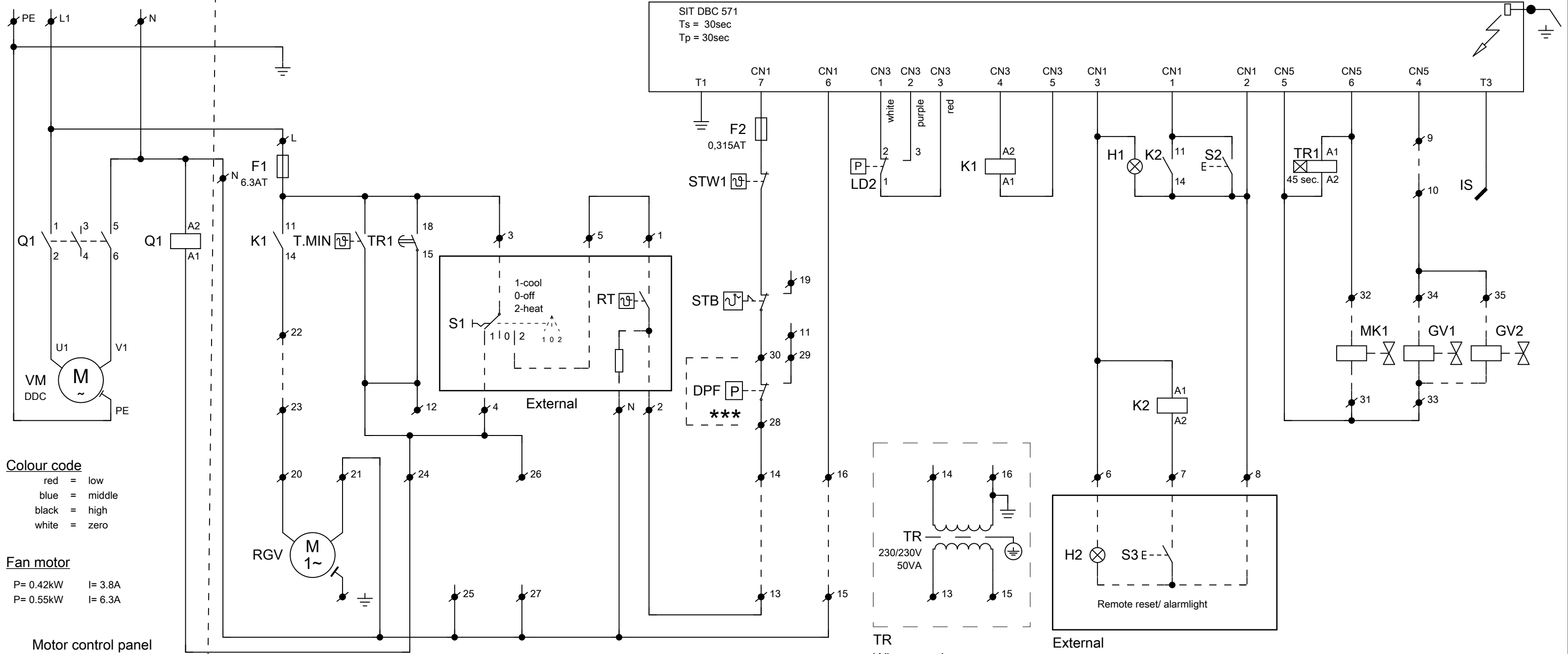
Power supply  
1~ 230V + N + PE / 50Hz



External connections

Alarm maximum temperature

- DPF - Filter pressure switch
- F1,F2,F3 - Fuse
- GV1/GV2 - Gasvalve
- H1,H2,H3 - Alarm light
- IS - Ionisation
- K1, K2 - Auxillary relay
- LD2 - pressure switch
- MK1 - Pilot gas valve
- RGV - Fluefan
- RT - Room thermostat
- S1 - Selector switch
- S2,S3 - Reset button
- STB - Safety thermostat
- STW1 - Maximum thermostat
- T.MIN - Minimal thermostat
- TR - Transformer
- TR1 - Time relay
- VM - Fan motor
- WS - Isolator switch

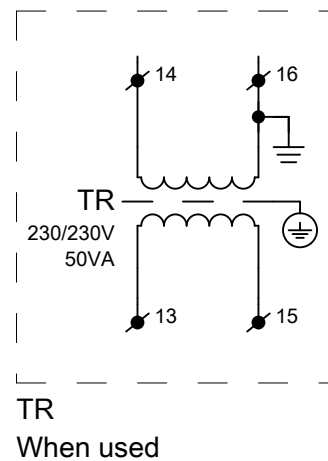


**Colour code**  
 red = low  
 blue = middle  
 black = high  
 white = zero

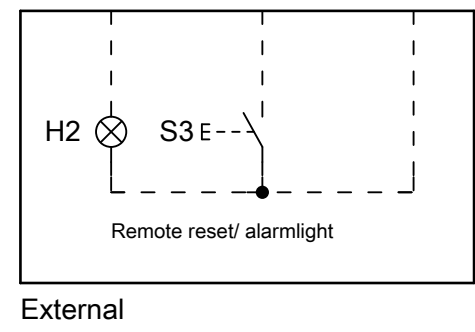
**Fan motor**  
 P= 0.42kW I= 3.8A  
 P= 0.55kW I= 6.3A

Motor control panel

SIT DBC 571  
 Ts = 30sec  
 Tp = 30sec



TR  
When used



External