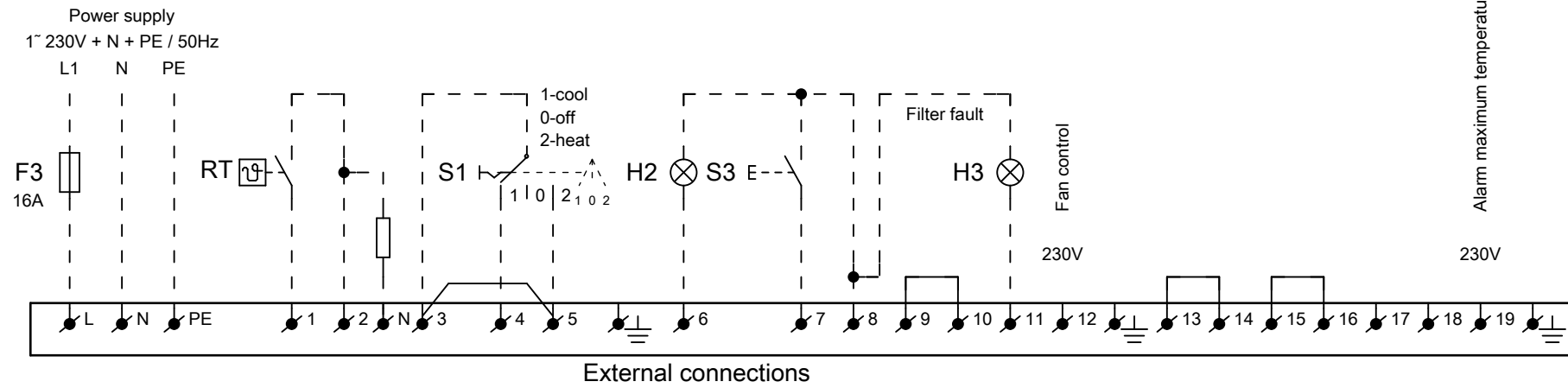
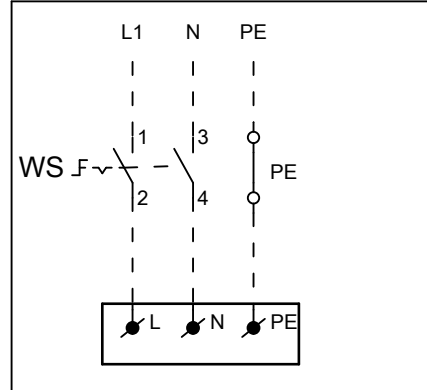


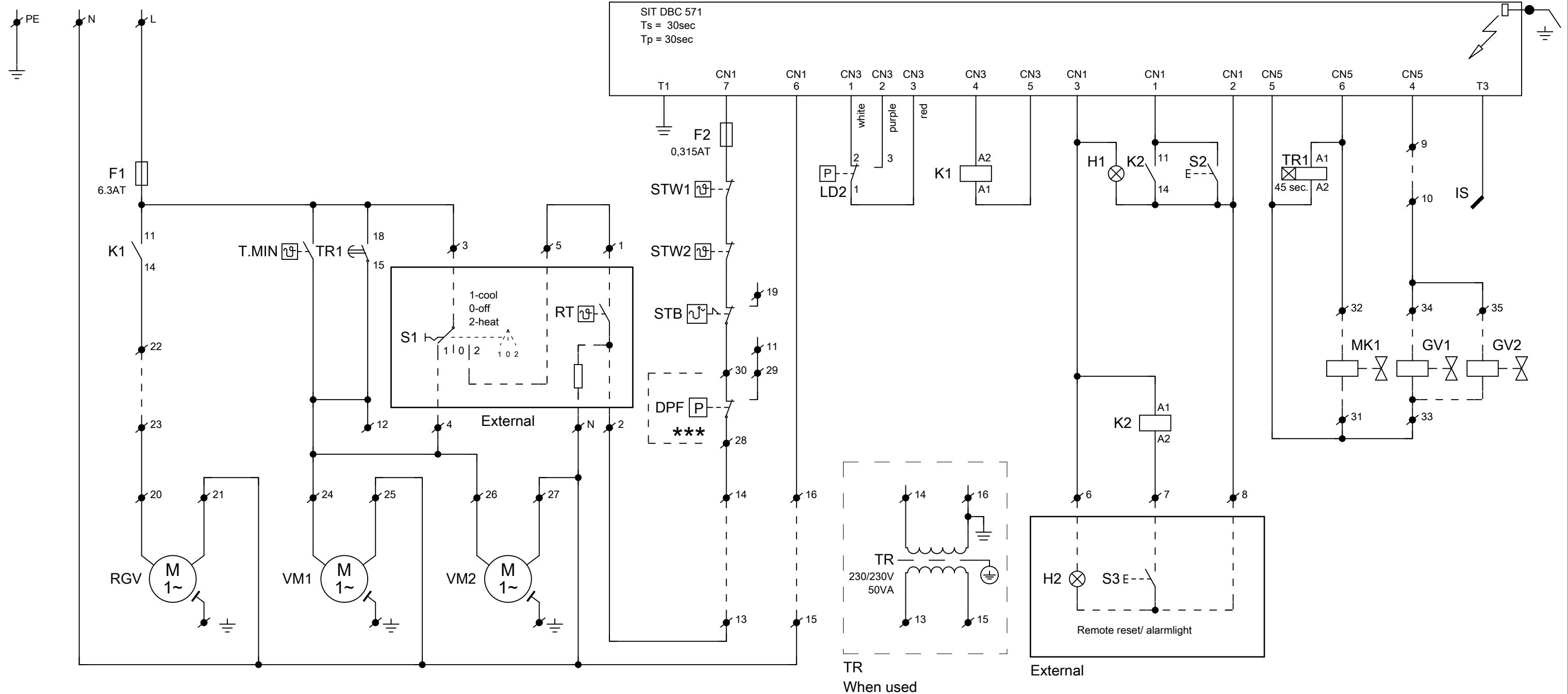
Connection with isolator switch



- DPF - Filter pressure switch
- F1,F2,F3 - Fuse
- GV1/GV2 - Gasvalve
- H1,H2,H3 - Alarm light
- IS - Ionisation
- K1, K2 - Auxillary relay
- LD2 - pressure switch
- MK1 - Pilot gas valve
- RGV - Fluefan
- RT - Room thermostat
- S1 - Selector switch
- S2,S3 - Reset button
- STB - Safety thermostat
- STW1/STW2- Maximum thermostat
- T.MIN - Minimal thermostat
- TR - Transformer
- TR1 - Time relay
- VM1,VM2 - Fan motor
- WS - Isolator switch

Alarm maximum temperature

External connections



TR  
When used

External