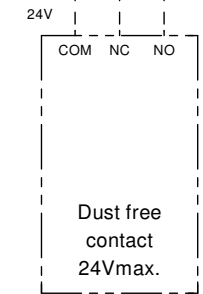
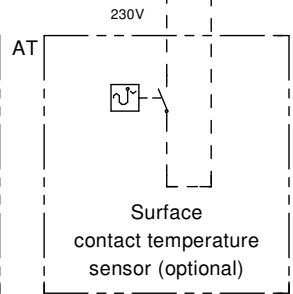
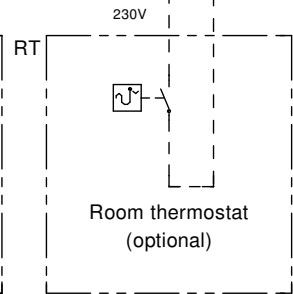
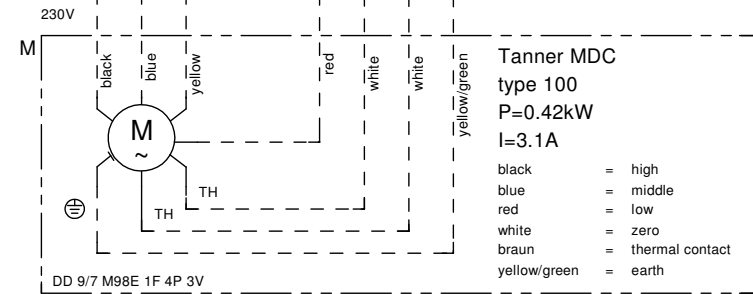
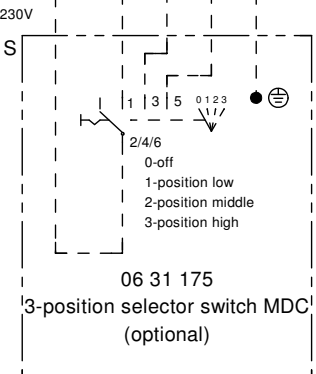
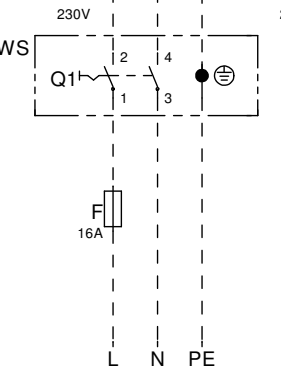
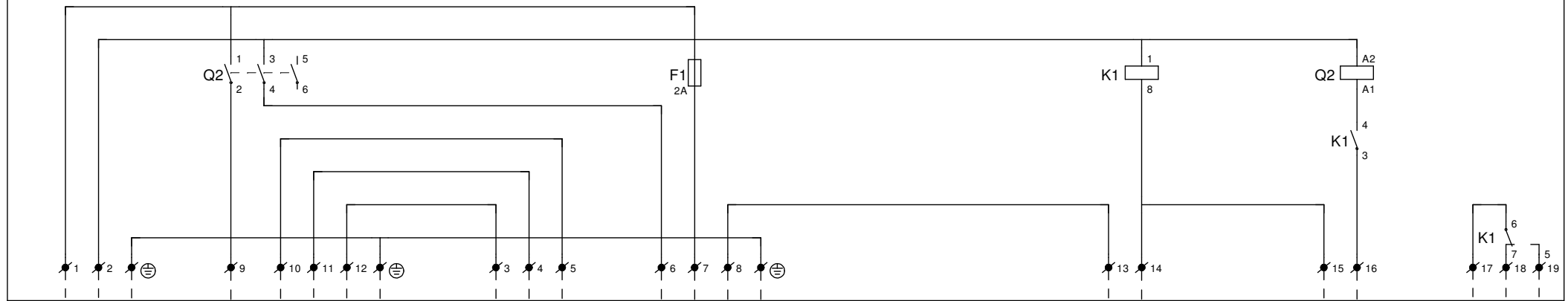
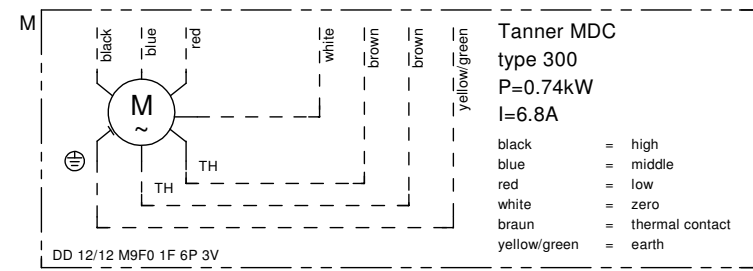
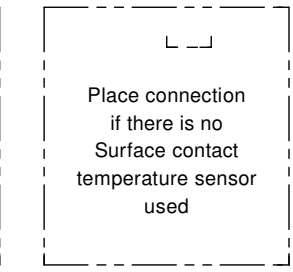
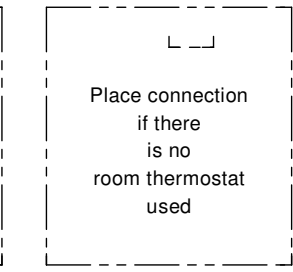
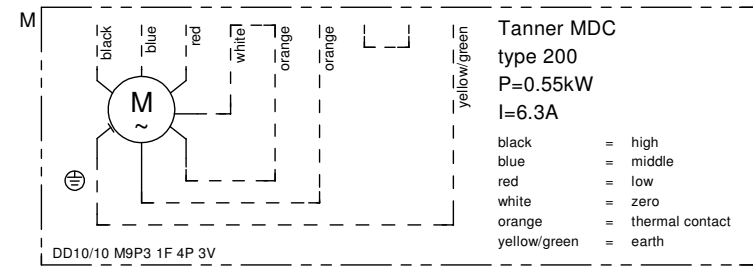
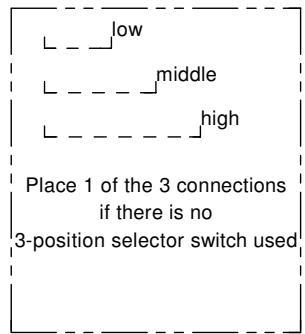


30 03 500, Motor control panel Tanner MDC 100/200/300, 230V



Power supply 1~230V + N + PE



WS - 06 31 162 Isolator switch