

en These instructions should be kept with the unit.

Mounting

Mounting location

- The SEH62.1 time switch is designed for indoor use

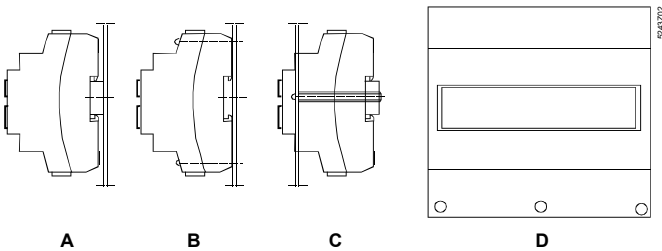
Measures to be taken to avoid radio interference

- Do not install the time switch near strong electromagnetic fields
- Inductive components near the time switch must be fitted with interference suppressors (RC units or varistors)
- Ensure adequate air circulation to dissipate the heat generated during operation
- In general, standard cable can be used. If the time switch must be installed in environments with strong electromagnetic fields, shielded cable should be used

Mounting choices

The time switch can be mounted as follows:

- On top hat rails.
Type of rail: EN 50 022-35 x 7.5, min. 60 mm long.
- Wall-mounting with 2 screws.
2 fixing holes are provided.
- Flush panel-mounting with standard elements, e.g. 1 top hat rail 100 mm long, 2 hexagonal spacers, washers and screws.
- In protective housing ARG62.22 (when used outside control panels).



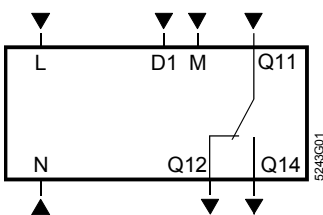
The connection terminals must be freely accessible.

Electrical installation

Precautionary measures

- Ensure that local safety regulations are complied with
- Between the connection terminals and the mounting plate or metal covers, there should be a minimum clearance 8 mm
- The connection terminals must be protected by a plastic cover
- Never open the time switch
- Note the maximum switching capacity of the relay contacts: AC 240 V / 6 A (res.), 3 A (ind.)

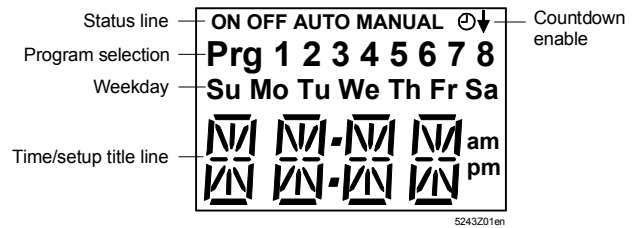
Internal diagram



- L, N AC 230 V mains supply
M, D1 Digital input (momentary contact closure)
Q... Digital output
(choice of voltages: AC 24...230 V)

Commissioning

LCD



Operating elements

The time switch has 3 buttons with the following functions:

- SEL Button for confirming a selected or entered value. This button also serves as a manual ON/OFF switch for overriding the programmed switching sequences
- + Buttons for setting and displaying the time of day, weekday and switching program
-

Programming

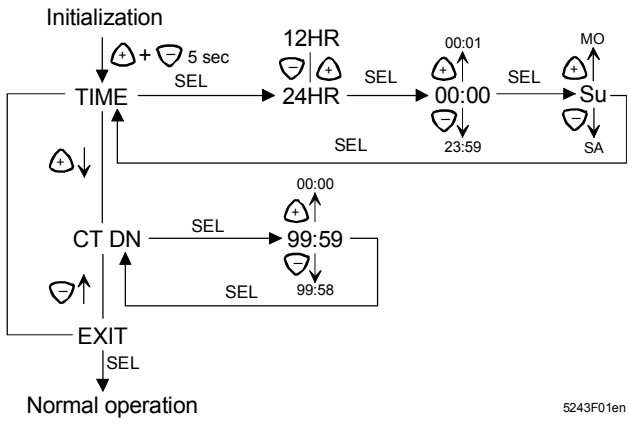
Setting the current time of day, weekday and countdown timer

	What	How	Display
1	Initialization	Press the + and - buttons simultaneously for 5 seconds in normal operation so that <i>TIME</i> appears flashing	<i>TIME</i>
2	12 / 24-hour format	Press the SEL button within 1 minute after initialization, then press the +/- buttons to select the display format. Confirm with the SEL button	<i>12HR</i> or <i>24HR</i>
3	Set the current time of day	After selection of the time format, press the +/- buttons within 1 minute to set the current time of day. Confirm with the SEL button	E.g. <i>10:30</i>
4	Set the current weekday	After setting the current time of day, press the +/- buttons within 1 minute to set the current weekday. Confirm with the SEL button	<i>Su...Sa</i>
5	Setting the countdown timer	After setting the weekday, press the +/- buttons to select <i>CTDN</i> and confirm with the SEL button. Then, set the timer's required ON time by pressing the +/- buttons. Press the SEL button again so that <i>CTDN</i> appears again	<i>CTDN</i>
6	Exit the time or timer setting	When, after setting the weekday (step no.4) or the timer, <i>TIME</i> or <i>CTDN</i> appears flashing again, press the +/- buttons to select <i>EXIT</i> and close with the SEL button	<i>EXIT</i>

Note: When, in programming mode, no button is pressed for 1 minute, the timer will automatically return to normal operation.

If the countdown timer is not required, skip step no. 5.

The countdown timer is started by a momentarily closing contact connected to M - D1. The N.O. contact across Q11 - Q14 remains closed until the set time has elapsed.



Programming the time switch

With the SEH62.1 time switch, up to 8 ON / OFF switching cycles can be programmed. Each of them can be assigned to an individual day or block of days.

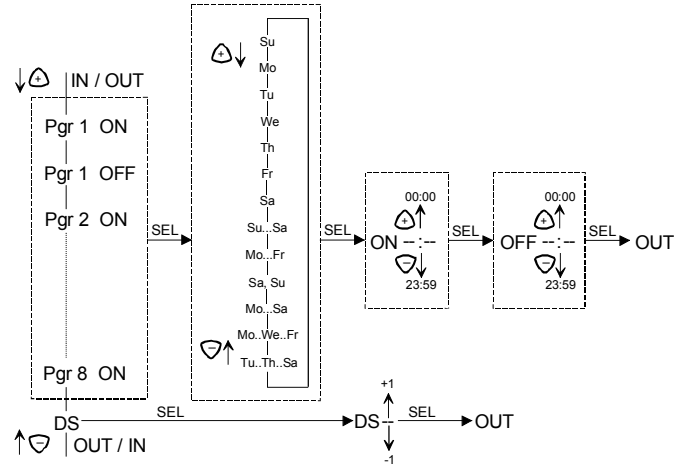
Press the +/- buttons to switch from normal operation to programming mode. With the + button, a start is made with program (Prg) 1; with the - button, a start is made with program (Prg) 8. The currently selected parameters flash to indicate the programming mode.

Step	Action	Display
1	Press the + button in normal operation, then press the SEL button	Prg 1
2	Press the +/- buttons to select the required weekday or block of weekday or block of weekdays, then press the SEL button	Su...Sa
3	Set the required switch-on time with the +/- buttons, then press the SEL button	E.g. 06:00
4	Set the required switch-off time with the +/- buttons and press the SEL button again so that the time switch will return to normal operation. The first switching cycle is thus programmed and memory location Prg 1 is assigned	E.g. 19:00

For programming additional switching cycles on the memory locations Prg 2...8, press the + button several times until the required memory location flashes. Then, repeat steps no. 1 through 4.

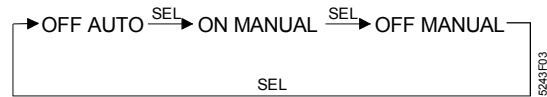
Summer- / wintertime changeover

Step	Action	Display
1	Press the - button in normal operation so that DS appears on the display	DS
2	Press the SEL button	DS---
3	Press the +/- buttons to set the time shift of + or -1 hour	DS+/ DS-1
4	Press the SEL button to confirm the setting after which the time switch returns to normal operation	



Changeover of operating mode

Press the SEL button in normal operation. Depending on the current state, the time switch will switch to ON MANUAL, OFF MANUAL or AUTO. By repeatedly pressing the SEL button, the time switch will change the operating mode in the following sequence:



- ON MANUAL → Output continuously active
- OFF MANUAL → Output continuously inactive
- AUTO → Output according to programming

In MANUAL mode, the programmed switching sequences will be overridden.

Dimensions

