



TANNER MDC

Water-supplied air heater with centrifugal fan

Water-supplied air heater with copper/aluminium heat exchanger. Output from 14,5 to 117 kW.



For more information, downloads and videos, visit the Tanner MDC page on our website



Versatile hot water air heater with centrifugal fan

The TANNER MDC is a water-supplied suspended air heater which can expel air horizontally or vertically.

The unit has a powerful centrifugal fan which means it is suitable for many applications. Mark offers a highly extensive range of accessories for the TANNER MDC allowing it to be aligned to specific client requirements.

For example, the unit can be made suitable for external air connection in combination with filtering and a mixing box for the destratification of fresh external air. The MDC is highly suitable for connection to a duct system.

The MDC is designed for use in showrooms, changing rooms, corporate hallways and garages.

Optional: EC-motor (230V / 0-10V), advantages of which are:

- The highest efficiency in case of speed control
- Up to 50% energy saving in case of partial load
- Almost completely linearly adjustable
- Long lifetime
- Low noise level
- Integrated electronic thermal protection

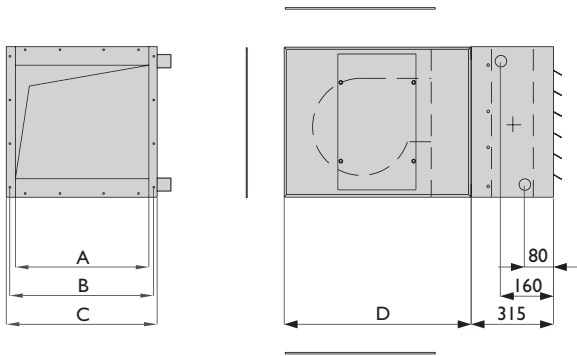
Product features

- Manufactured with a corrosion-resistant aluzinc housing as standard
- Copper/aluminium heat exchanger
- Highly versatile due to extensive configuration options
- Available as 230V or 400V



Remote connection possible with the PinTherm Connect!

Dimensions



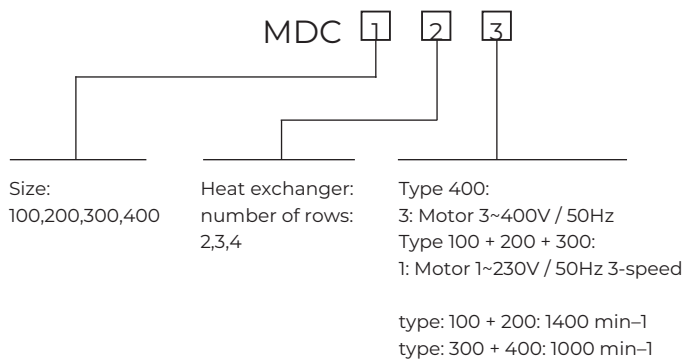
T	A	B	C	D
	mm	mm	mm	mm
100	390	415	443	583
200	520	545	573	713
300	670	595	723	863
400 1.1 kW	800	835	853	993
400 1.5 kW	800	835	853	993
400 2.2 kW	800	835	853	993
400 3.0 kW	800	835	853	993

Technical information

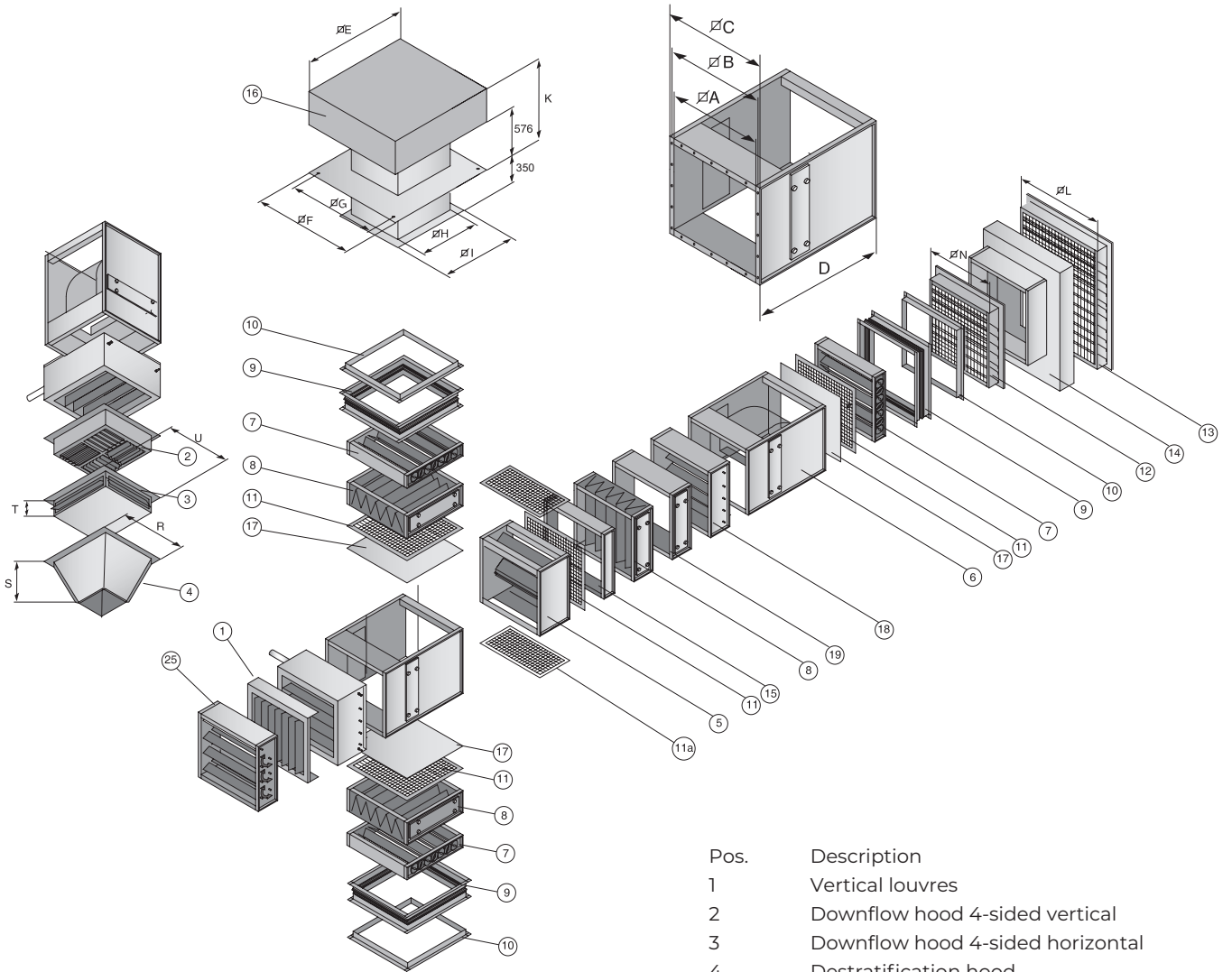
Type		100	200	300	400	400	400	400
Air displacement minimum	m³/h	1.000	2.000	2.500	4.000	4.000	4.000	4.000
Air displacement maximum	m³/h	2.500	3.600	5.400	7.000	<7.800	<8.800	<9.300
External pressure maximum	Pa	300	380	250	400	400	420	420
Noise level (5m)	dB(A)	53	53	53	58	58	64	70
Supply voltage (50Hz)	V	1~230V	1~230V	1~230V	3~400V+N	3~400V+N	3~400V+N	3~400V+N
Motor	kW	0,42	0,55	0,75	1,1	1,5	2,2	3
Consumed current	A	3,1	6,7	7,0	2,8	3,7	5	6,9

See MDA tables on pages 46/47 for heat delivery.
 Technical information of the Tanner MDC with EC motor is available on request.

TYPE DESIGNATION



Accessories - additional sections

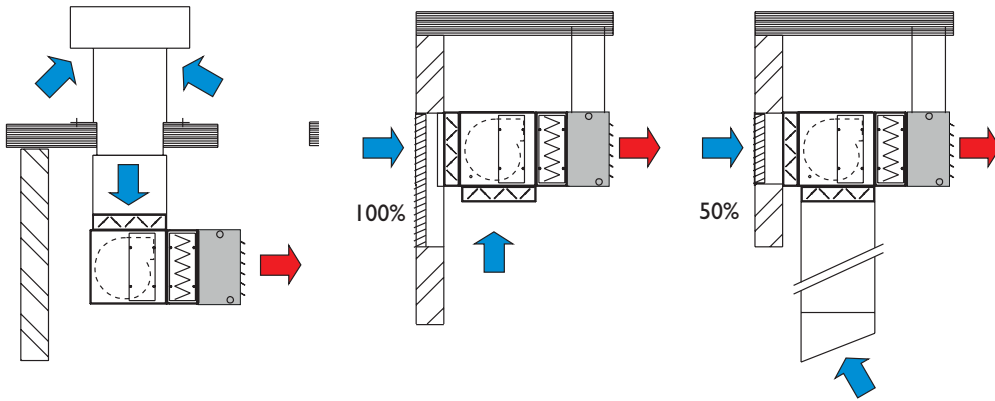


- | Pos. | Description |
|------|---|
| 1 | Vertical louvres |
| 2 | Downflow hood 4-sided vertical |
| 3 | Downflow hood 4-sided horizontal |
| 4 | Destratification hood |
| 5 | Mixing box incl. dampers |
| 6 | Mixing box for dampers |
| 7 | Damper |
| 8 | Filter box with filter (EU 3) |
| 9 | Flexible connection |
| 10 | Corner profile |
| 11 | Mesh |
| 11a | Mesh |
| 12 | Weather grill ≤ 50% fresh air intake |
| 13 | Weather grill > 50%-100% fresh air intake |
| 14 | Transition piece for 13 |
| 15 | Empty section 120 mm |
| 16 | Rain cap incl. adhesive plate (aluminium) |
| 17 | Blanking plate |
| 18 | Motor protection strip |
| 19 | Empty section 240 mm |
| 25 | Induction damper |

Type	A	B	C	D	E	F	G	H
100	390	415	443	463	690	740	690	380
200	520	545	573	593	920	920	820	510
300	670	695	723	743	1180	1240	975	665
400	800	835	853	873	1420	1240	1110	800

Type	I	K	L	N	R	S	T	U
100	440	800	516	386	439	212	120	406
200	570	895	666	516	573	253	151	530
300	720	940	796	666	724	300	175	680
400	850	1075	1005	796	853	329	220	815

Assembly/location suggestions



Controls

Control combination options

Tanner MDC + **1** + **2** + **4**

Tanner MDC + **1** + **2** + **5**

Tanner MDC + **1** + **2** + **6**

Tanner MDC + **1** + **2** + **7**

Tanner MDC + **1** + **2** + **4** + **8**

Tanner MDC + **1** + **2** + **5** + **8**

Tanner MDC + **1** + **2** + **6** + **8**

Tanner MDC + **1** + **2** + **7** + **8**

Tanner MDC + **1** + **3** + **4**

Tanner MDC + **1** + **3** + **5**

Tanner MDC + **1** + **3** + **6**

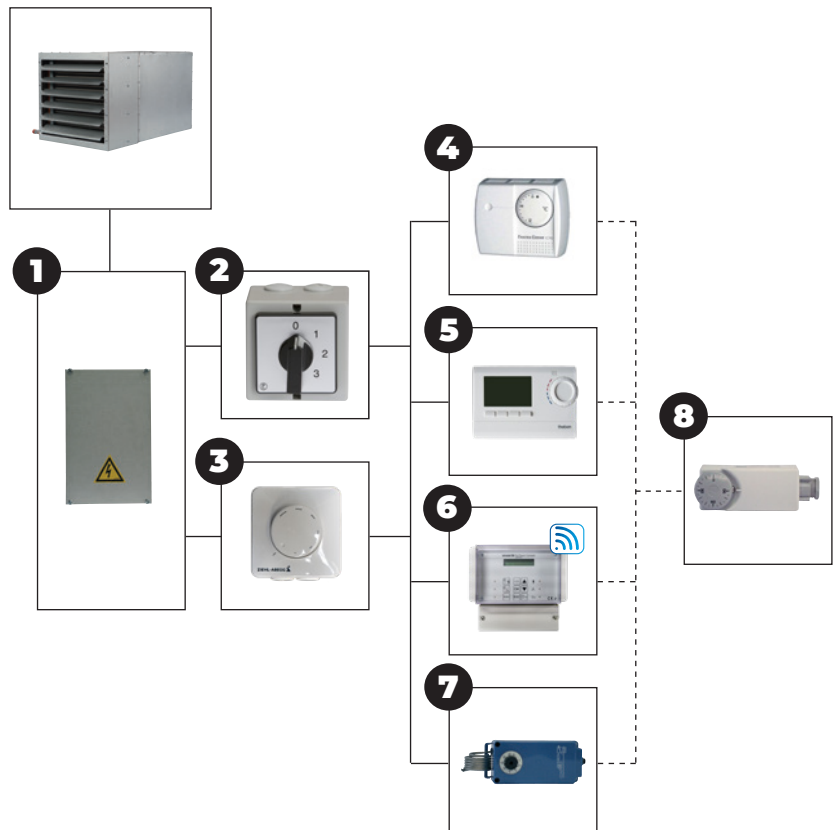
Tanner MDC + **1** + **3** + **7**

Tanner MDC + **1** + **3** + **4** + **8**

Tanner MDC + **1** + **3** + **5** + **8**

Tanner MDC + **1** + **3** + **6** + **8**

Tanner MDC + **1** + **3** + **7** + **8**



1 = Motor control:'

- A 3003500 Motor control Tanner MDC Type 100/200/300 230V
- B 3003502-3003505 Motor control Tanner MDC Type 400 3~400V
- C 3003510 Motor control Tanner MDC (EC version) Frequency inverter OJ-DV
- D 3003511 Motor control Tanner MDC (EC version) with DDMP fan

Remark:

Switch (2) only in combination with A or B

Potentiometer (3) only in combination with C or D

- 2 = 3-step switch (0631175)
- 3 = Potentiometer (0631390)
- 4 = Room thermostat (0629013)
- 5 = Clock thermostat (0629039)
- 6 = Pintherm Connect (0629108)
- 7 = Waterproof room thermostat (0629004)
- 8 = Surface contact thermostat (0629180)