



TANNER MDE

Electric air heater with axial fan

Output from 6 to 51 kW.



For more information, downloads
and videos, visit the Tanner MDE
page on our website

Electric air heater for effective heating



The TANNER MDE is a suspended electric air heater for permanent use. The unit is equipped with horizontally adjustable discharge blades and can be mounted with the optional wall bracket. The unit has a powerful axial fan, which means that the unit has many applications.

The TANNER MDE is designed for use in showrooms, changing rooms, industrial halls, ships and garages.

The TANNER MDE can be operated with an external selector switch. The switch has the following positions:

- Ventilation
- Heating high
- Heating low

The unit is equipped with a thermostat connection.

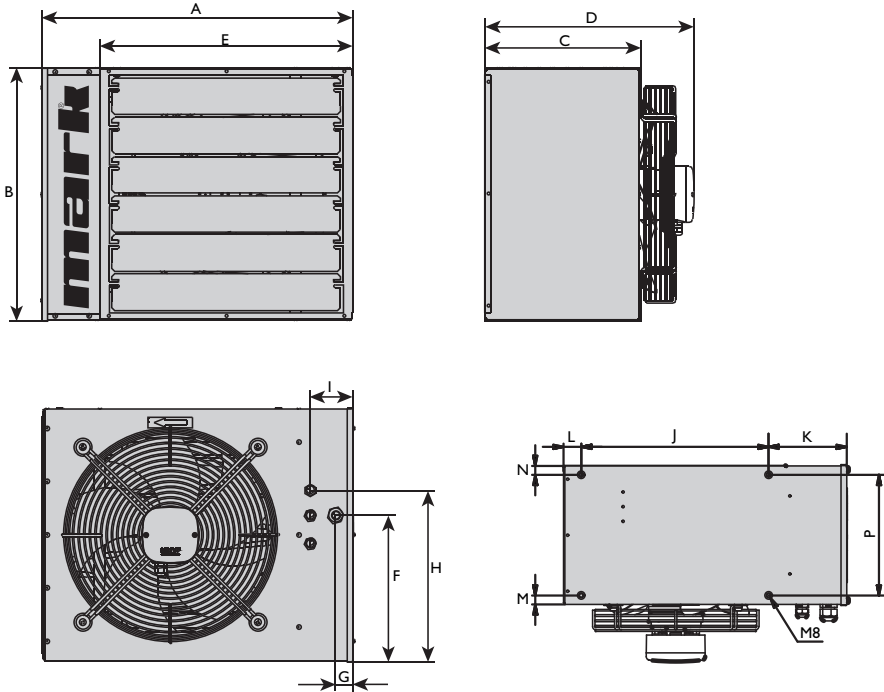
Product features

- Aluzinc housing
- 400V version
- IP 00B
- Long lifetime
- Low noise level
- Integrated electronic thermal protection
- Post-running thermostat for efficient cooling.



Remote connection possible with the PinTherm Infra Connect!

Dimensions

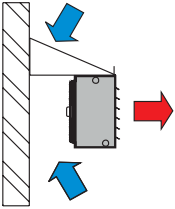


Type	A	B	C	D	E	F	G	H	I	J	K	L	M	N	O	P
6	480	380	240	330	380	190	30	235	75	318	133	30	15	15	318	205
9	480	380	240	330	380	190	30	235	75	318	133	30	15	15	318	205
12	550	450	280	370	450	260	30	305	75	390	133	30	35	35	390	205
15	550	450	280	370	450	260	30	305	75	390	133	30	35	35	390	205
24	660	570	300	440	550	290	30	330	75	390	195	78	45	45	390	205
30	660	570	300	440	550	290	30	330	75	390	195	78	45	45	390	205
42	660	570	300	440	550	290	40	330	85	390	195	78	45	45	390	205
51	830	730	350	490	715	450	40	530	85	665	136	29	32	37	665	281

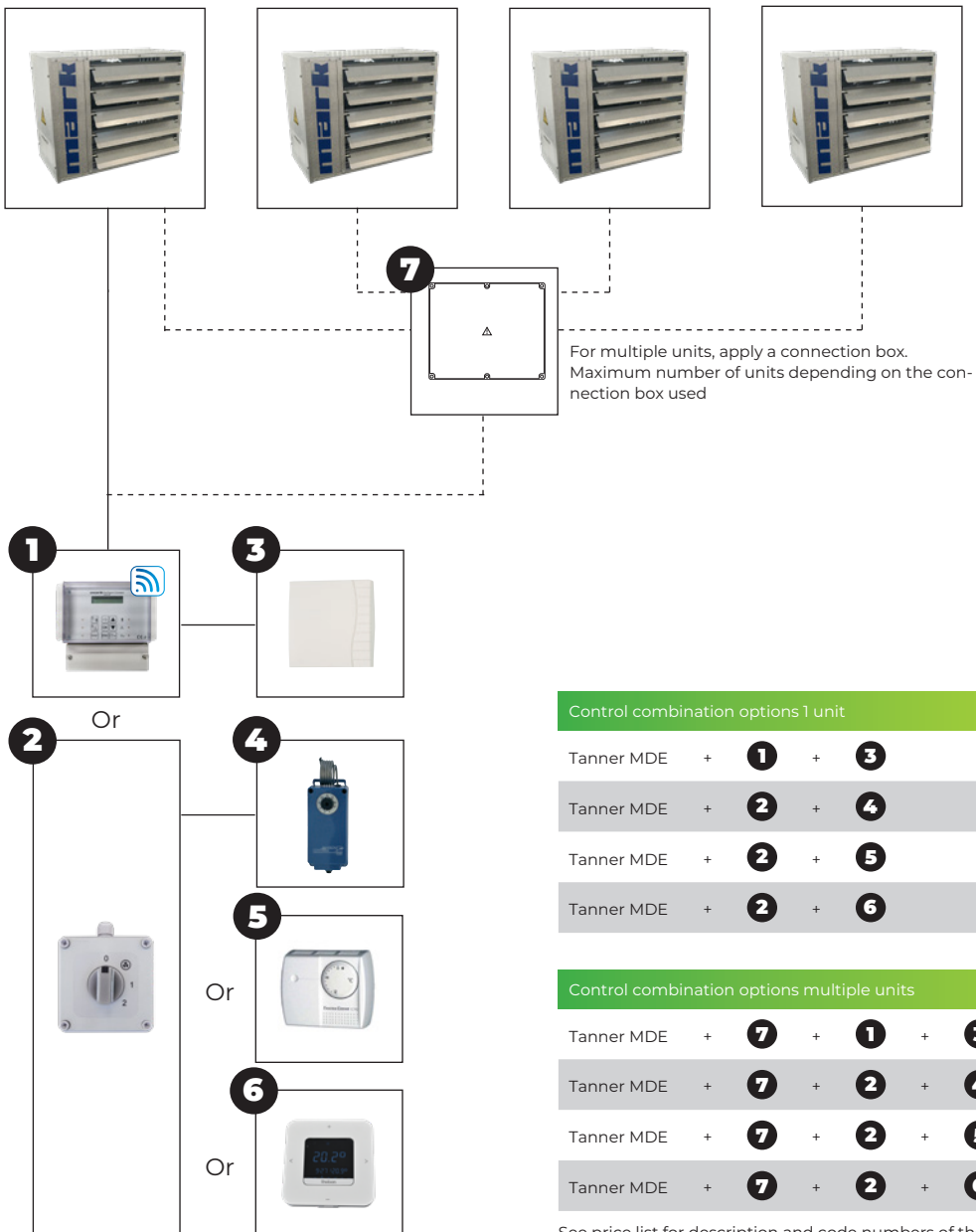
Technical information

Type		6	9	12	15	24	30	42	51
Nominal power	kW	6	9	12	15	24	30	42	51
Power steps	kW	3+3	4,5+4,5	6+6	9+6	12+12	15+15	24+18	24+27
Supply voltage (50Hz)	V	3x400V+N+PE							
Consumed current	A	8,7	13,0	17,3	21,7	34,7	43,4	60,7	73,7
Air displacement	m ³ /h	800	800	1600	1600	2800	2800	4450	6495
Speed	rpm	1400	1400	1000	1000	1000	1000	1400	1000
Delta T (ΔT)	K	22,5	33,8	22,6	28,2	25,7	32,1	28,3	23,6
Weight	kg	13	14	19	20	30	32	36	53
Noise at 5 m	dB(A)	38	38	48	48	50	50	50	52
Throw	m	8	8	12	12	17	17	20	25
Protection class	IP	00B	00B	00B	00B	00B	00B	00B	00B
Recommended circuit breaker	A	B16	B20	B25	B32	B50	B63	B80	B100
Recommended isolator switch		0631147		0631148		0631149		0631144	0631145

Assembly/location suggestions



Controls



Control combination options 1 unit

Tanner MDE + **1** + **3**

Tanner MDE + **2** + **4**

Tanner MDE + **2** + **5**

Tanner MDE + **2** + **6**

Control combination options multiple units

Tanner MDE + **7** + **1** + **3**

Tanner MDE + **7** + **2** + **4**

Tanner MDE + **7** + **2** + **5**

Tanner MDE + **7** + **2** + **6**

See price list for description and code numbers of the relevant items