



TANNER MD

Duct hot water heater

Duct hot water heater with copper/aluminium heat exchanger.
Output from 14,5 to 117 kW.



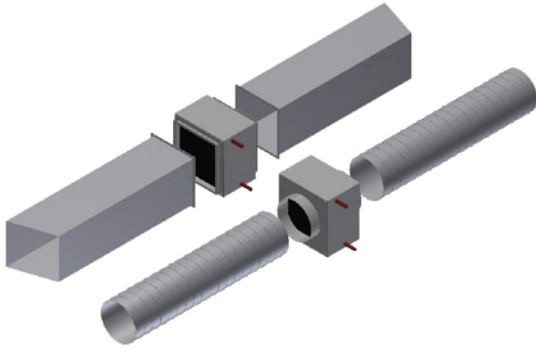
For more information, downloads
and videos, visit the Tanner MD
page on our website

Duct hot water heater

The TANNER MD water-supplied air heater should be located directly in a duct to (post) heat intake air. The MD is available in a wide range of capacities ranging from 14,5 to 117 kW.

The round version is optionally available with rubber sealing.

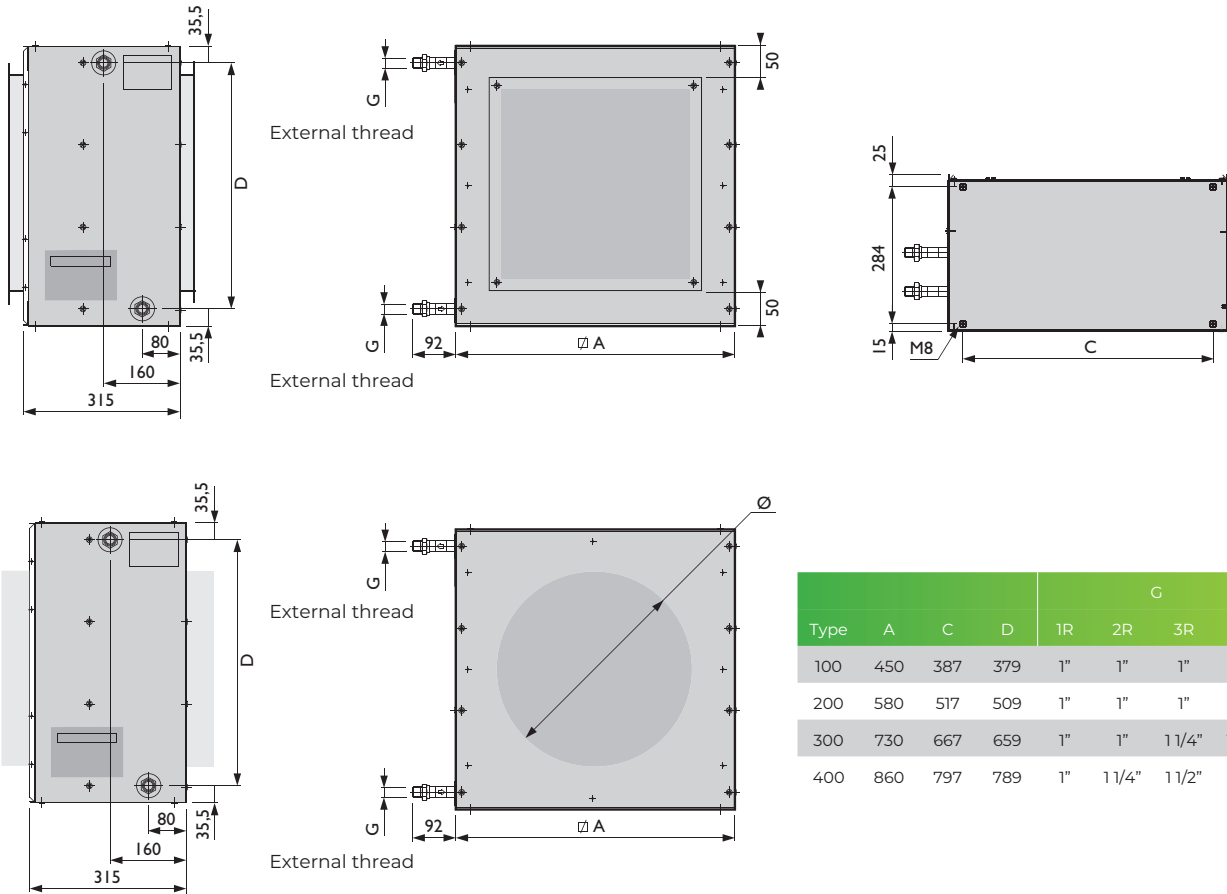
See Tanner MDA for technical specifications.



Product features

- Manufactured with a corrosion-resistant aluzinc housing as standard
- Copper/aluminium heat exchanger

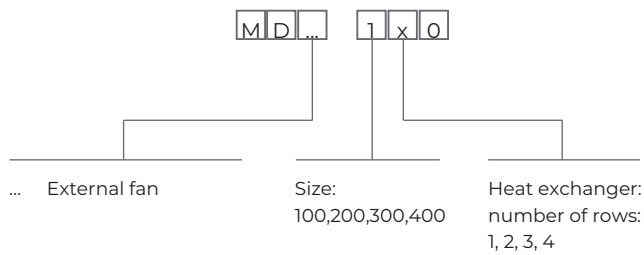
Dimensions



Type	A	C	D	G				Ø
				1R	2R	3R	4R	
100	450	387	379	1"	1"	1"	1"	315/400
200	580	517	509	1"	1"	1"	1"	450/500
300	730	667	659	1"	1"	1 1/4"	1 1/4"	600/630
400	860	797	789	1"	1 1/4"	1 1/2"	1 1/2"	710

Technical information

TYPE DESIGNATION



See Tanner MDA tables on pages 46/47 for heat delivery.