

LDA SWIRL

Water-supplied air heater with EC-fan

Water-supplied air heater with copper/aluminium heat exchanger.
Air amounts from 500 to 2000 m³/h.



For more information, downloads
and videos, visit the LDA Swirl
page on our website

Design air heater for grid type ceilings



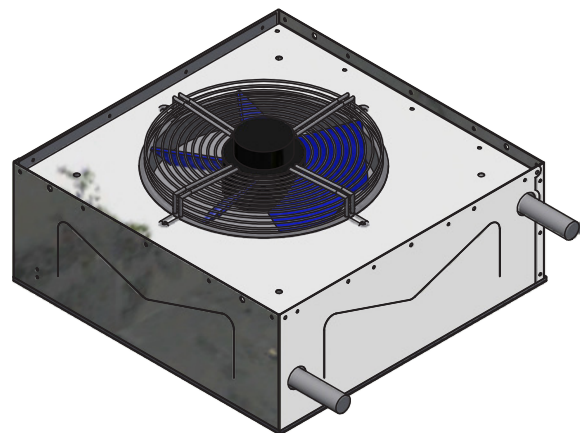
The Mark LDA SWIRL design water-supplied air heater has been developed to fit into 600x600 grid type ceilings. The unit is easy to install due to its compact dimensions and is also perfectly suitable for rooms with low ceilings. Of course it is also easy to install as a free hanging unit.

Due to the modulating EC fan, the Mark LDA SWIRL is available for a wide range of air volumes and heating capacities. The EC fan also ensures a quiet and energy efficient unit.

The LDA is designed for use in stores, offices and hospitals.

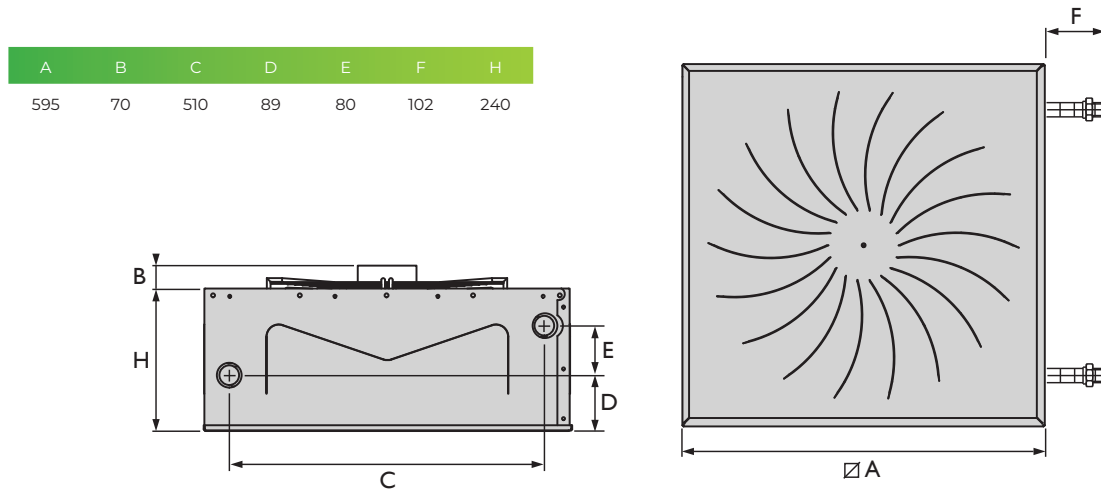
Product features

- RAL 9010 powder coating (other colours on request)
- Low maintenance
- Silent
- Pleasant air diffusion
- Attractive appearance
- Low energy consumption
- 0-10V control



Remote connection possible with the PinTherm Connect!

Dimensions

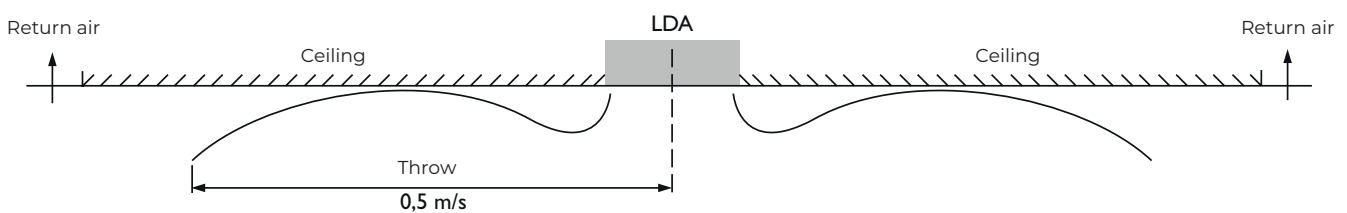


Technical information

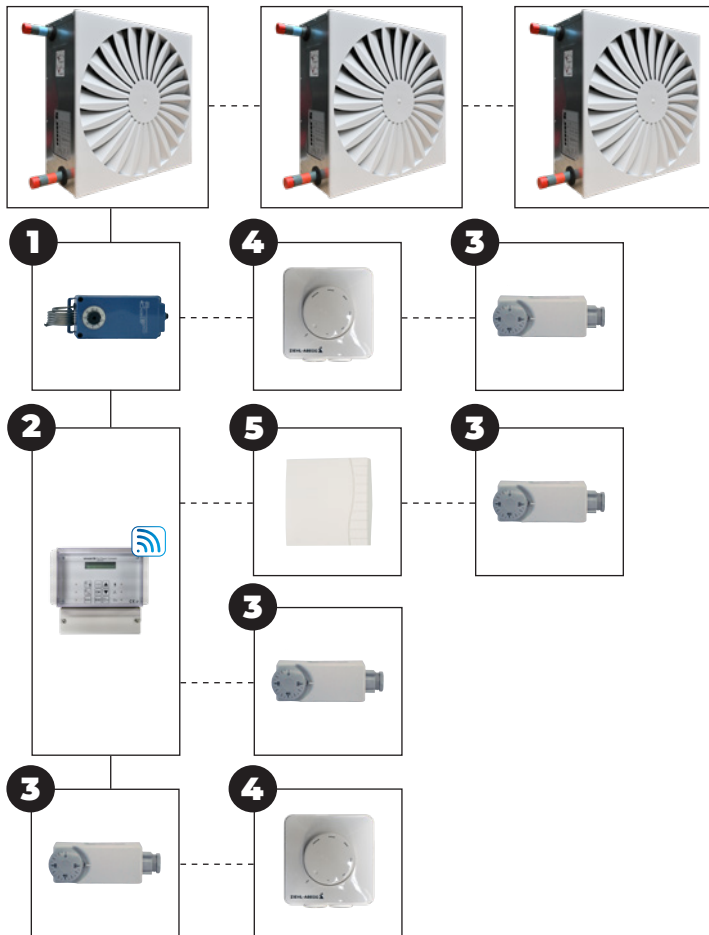
Air displacement LDA 221	Heat delivery 90/70 T15	Heat delivery 80/60 T15	Heat delivery 60/40 T15	Heat delivery 45/38 T15	Throw	Noise level
m^3/h	W	W	W	W	m	dB(A)
500	6750	5560	3400	2720	3	26
750	8640	7290	4300	3560	4,5	31
1000	10430	8580	5040	4100	6	33
1250	11950	9910	5690	4872	8	33
1500	13520	11110	6480	5270	9,5	35
1750	14700	12180	6950	5850	11	36
2000	15910	13120	7540	6260	13	42

- Water connection: 1" male thread
- Water resistance T15: 5 kPa
- Weight: 23 kg
- 1 Phase 230 V

Assembly/location suggestions



Controls



Control combination options

LDA Swirl	+	1				
LDA Swirl	+	1	+	4		
LDA Swirl	+	1	+	4	+	3
LDA Swirl	+	2				
LDA Swirl	+	2	+	5		
LDA Swirl	+	2	+	5	+	3
LDA Swirl	+	2	+	3		
LDA Swirl	+	3				
LDA Swirl	+	3	+	4		

See price list for description and code numbers of the relevant items