



INFRA LINE

Gas-fired black radiant tube heater

Gas-fired black radiant tube heater with atmospheric burner and electrical ignition. Output from 50 to 200 kW.



For more information, downloads and videos, visit the Infra Line page on our website



Product features

- Efficiency 93%
- 7 different capacities with the length of the unit increasing as the capacity increases.

Heat only where needed

The Mark INFRA LINE offers the option of heating without displacing air. In addition, heat reaches only the location where it is required. The short warming-up period and the lower room temperature can yield good energy savings. Savings can be as high as 40%.

The aluminium reflective hood radiates the radiant heat emitted downwards. This hood is standardly insulated to increase radiation efficiency.

Possible applications include: sports halls, production facilities, aircraft hangars, showrooms and garages.

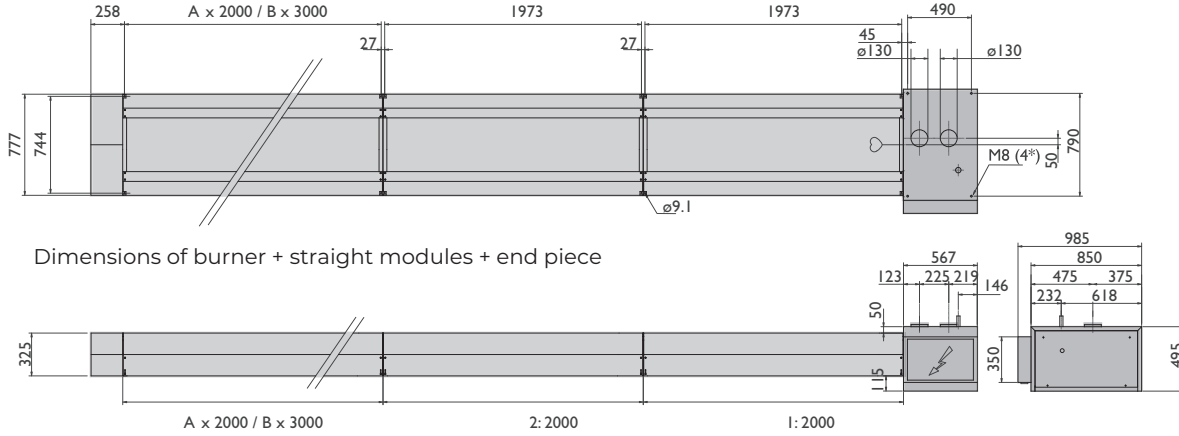
The benefits of radiant heating include:

- Short warm-up time
- High floor temperature
- Silent
- No air movement
- Low energy consumption
- "Zone" heating
- Heat only where needed



Remote connection possible with the PinTherm Infra Connect!

Dimensions

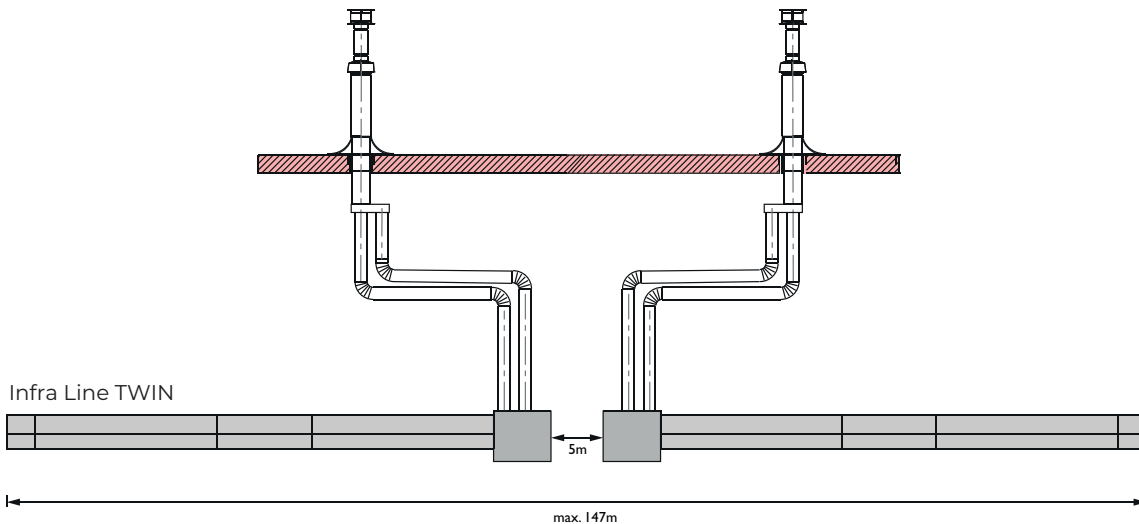


Dimensions of burner + straight modules + end piece

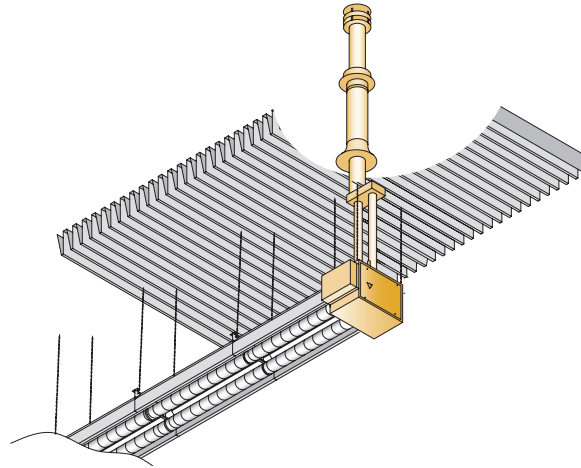
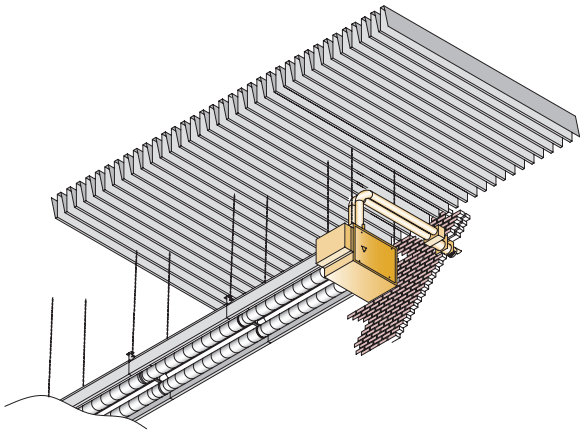
A/B = number of straight modules

Technical information

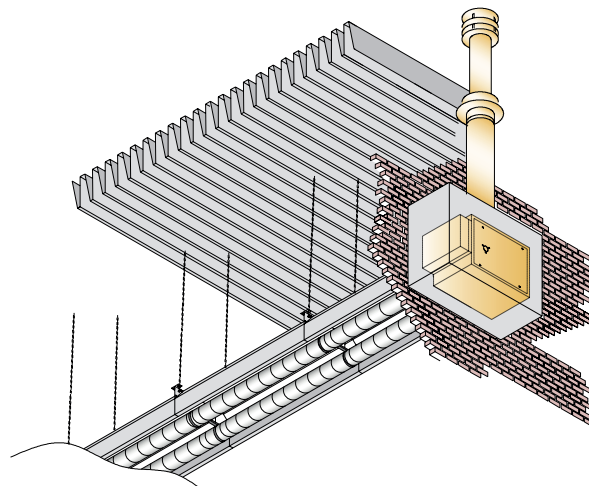
Type		50/30	70/30	70/36	80/40	90/44	100/50	100-70/50 H/L	80/40 TWIN	100/50 TWIN
Maximum length	m	31	51	51	51	61	71	51	127	147
Minimum length	m	26	30	36	40	44	50	50	80	100
Nominal power	kW	50	70	70	80	90	99,5	99,5/70	160	200
Nominal load (lower value)	kW	55	74,9	74,9	85,6	97,2	107,5	107,5/74,9	171,2	215
Gas consumption G20 (15°C)	m ³ /h	5,8	7,9	7,9	9,1	10,3	11,4	11,4/7,9	18,2	22,8
Gas consumption G25 (15°C)	m ³ /h	6,8	9,2	9,2	10,5	11,9	13,2	13,2/9,2	21	26,4
Gas consumption G31 (15°C)	m ³ /h	2,3	3,1	3,1	3,5	4,0	4,4	4,4/3,1	7	8,2
Gas consumption G30 (15°C)	m ³ /h	1,6	2,3	2,3	2,7	3,0	3,3	3,3/2,3	5,4	6,6
Minimum weight	kg	516	516	596	644	708	788	792	1288	1576
Electrical power	kW	0,7	0,7	0,7	0,7	0,7	0,7	0,7	1,4	1,4
Minimum suspension height	m	4,5	4,5	4,5	5,0	5,0	5,0	5,0	5,0	5,0
Noise level at 5 m	dB(A)	48	48	48	48	48	48	48	50	50



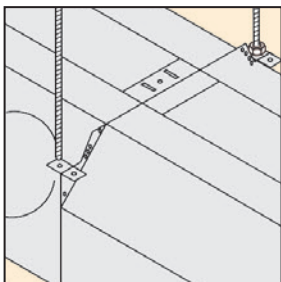
Accessories – flue gas exhaust



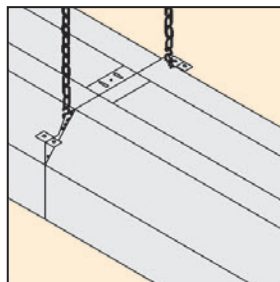
Option: burner outside the wall



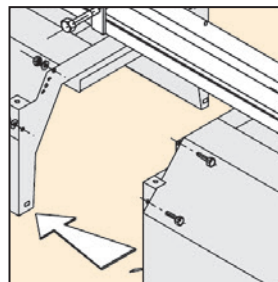
Assembly/location suggestions



Cross bars
(not included)

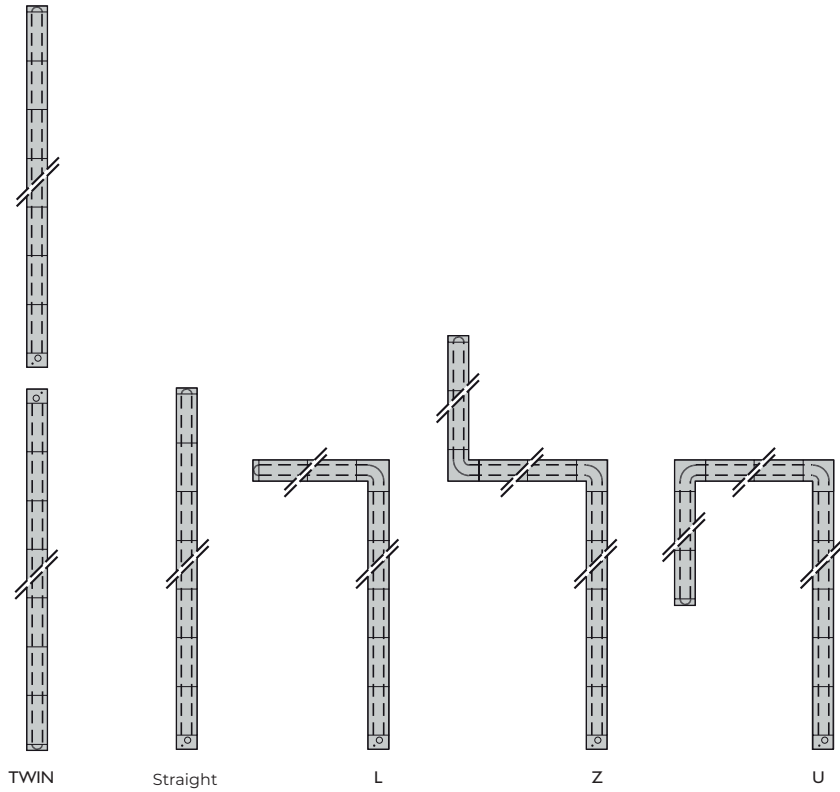


Chains
(not included)

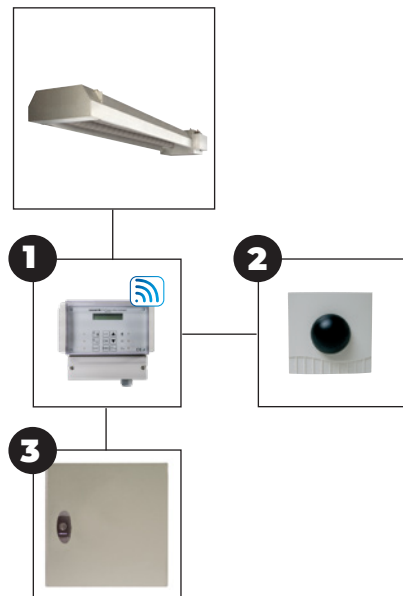


Suspension rail
(optional)

Project design



Controls



Control combination options

Infra Line	+	1	+	2
Infra Line	+	3		

1 = Pintherm Infra Connect [0629109]

2 = Black bulb sensor [0629087]

3 = Remote control panel SLR