



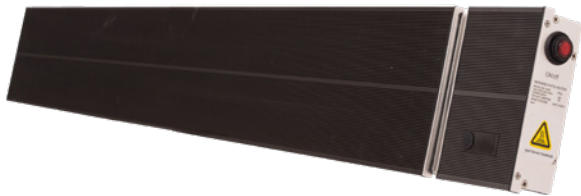
INFRA ER 2600W

Electric infrared radiant heater

Output of 2600W.



For more information, downloads
and videos, visit the Infra ER 2600W
page on our website



Efficient heating with infrared radiation

The INFRA ER 2600W heats objects in a room directly, without air displacement. Due to the short warm-up time and the lower room temperature, high energy savings can be achieved.

Heating a room with infrared radiation offers many advantages over conventional air heating. For example, objects in a room are heated directly, without the air having to be heated first. There is no air displacement and therefore no dust displacement, and infrared has the same positive effects as sunlight, including stimulating blood circulation for better recovery of muscles and joints.

Possible applications include: production and logistics halls, offices, schools, churches, homes, catering, shops and patio heating

Standard equipment

- Mounting brackets suitable for wall / ceiling

Optional

- Remote control

Product features

- Colour: black
- Heats 12-18m²
- 2 settings on the remote control, 24-hour timer control, weekly timer
- MICA radiation system
- Protection against overheating
- Quiet
- Fast and pleasantly warm
- Targeted heat, no air displacement
- Invisible radiation
- IP 65 protection class

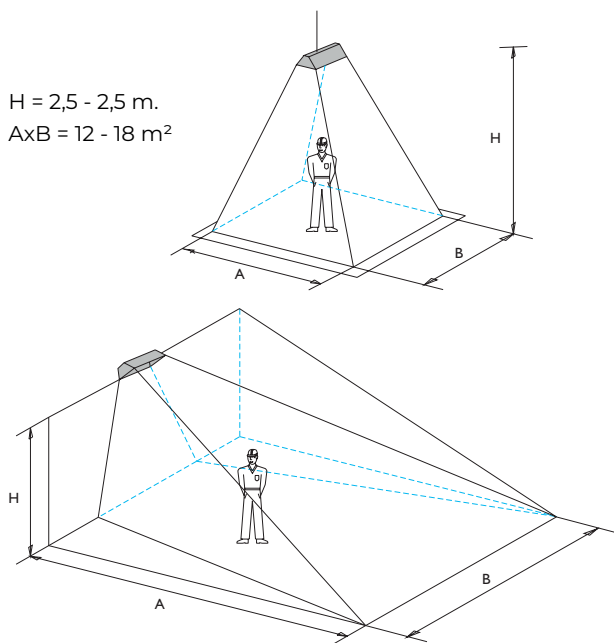
Dimensions

Infra ER 2600W		L	B	H
With remote control	mm	1390	160	85
With on/off button	mm	1510	160	50

Technical information

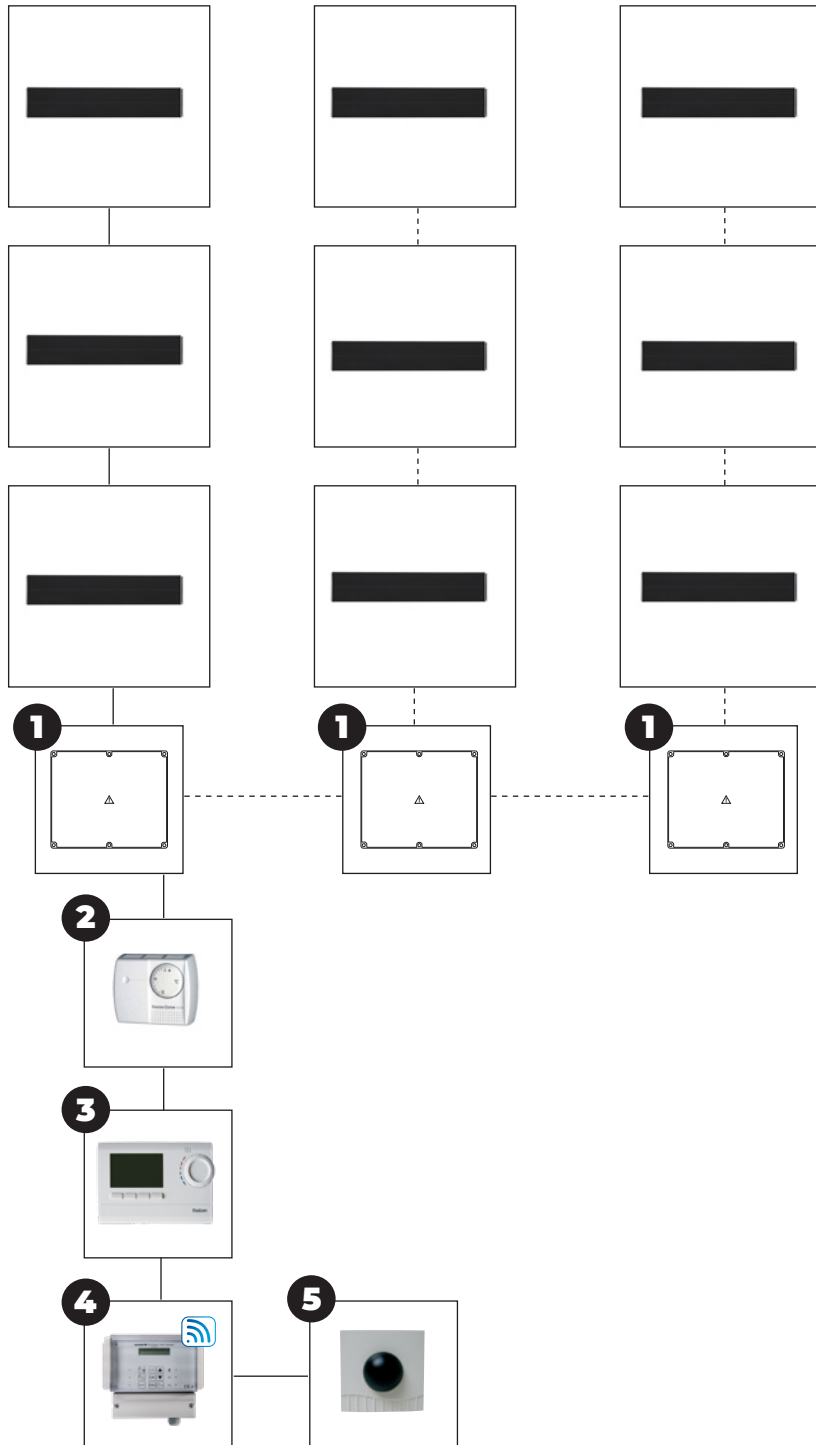
Infra ER 2600W	Voltage (V)	Wattage (W)	Hertz (Hz)	Weight
With remote control	220-240 V AC	2600	50/60	8,5
With on/off button	220-240 V AC	2600	50/60	8,2

Assembly/location suggestions



Controls

INFRA ER 2600W with on/off button:



Control combination options zones

INFRA ER + 1 + 2

INFRA ER + 1 + 3

INFRA ER + 1 + 4 + 5

See price list for description and code numbers of the relevant items

1 = Electric connection box, max 3 INFRA ER 2600W per connection box