



GSX

Gas-fired air heater with axial fan

Air heater with premix burner for unrestricted outlet into the room.
Output from 13,7 to 84,6 kW.



For more information, downloads
and videos, visit the GSX page on
our website



Product features

- Long lifespan
- Low operating costs
- Robust
- Reliable
- Uniform temperature distribution through high air displacement
- Small ΔT
- Small difference between supply air and room temperature
- Control up to 8 units possible via a 2-wire bus system
- Zone heating possible via 1 control (up to 8 zones)

Economical heating with the GSX

With the Mark GSX heat is generated via a premix-burner and blown out by means of an axial fan. The robust air heater is particularly suitable for industrial use and is very economical thanks to its low gas consumption, low maintenance and long lifespan.

The Mark GSX series fully complies to the new Ecodesign 2021 and has a capacity range of 13,7 to 84,6 kW. The GSX is suitable to heat garages, warehouses, workshops, distribution centers, showrooms and more.

Standard equipment:

- Stainless steel heat exchanger
- Closed combustion circuit
- Premix burner
- Electronic ignition
- Aluzinc coating
- Powerful axial fan(s)
- Downflow hood with horizontal louvres
- CE-approval
- No condensation pipe required

The GSX is standard equipped with a speed-regulated, low-noise EC fan. Advantages:

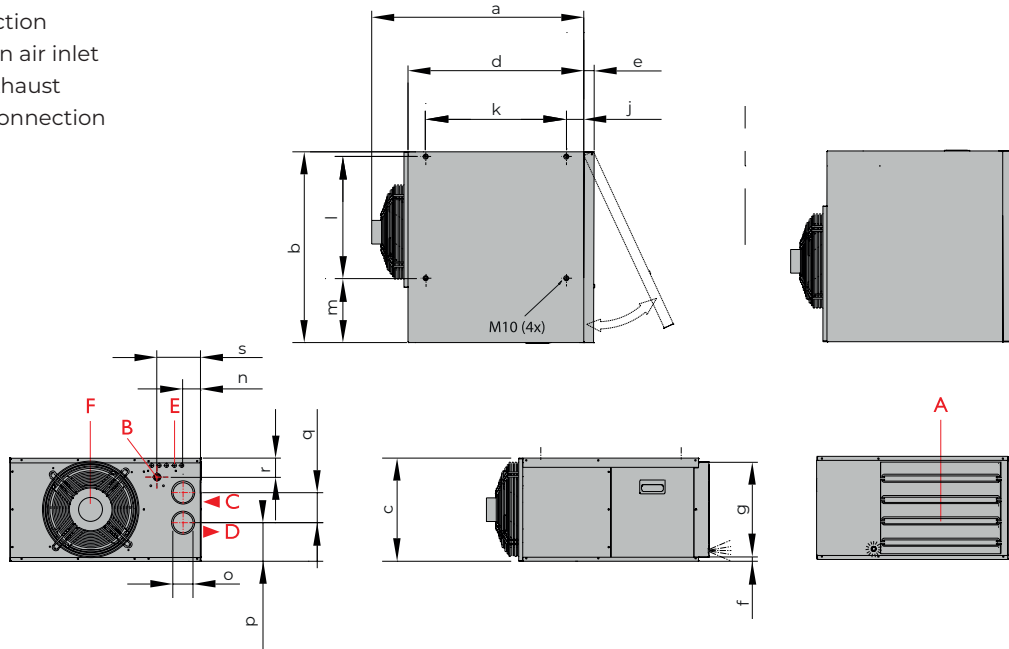
- The highest efficiency in case of speed control
- Up to 50% energy saving in case of partial load
- Almost completely linearly adjustable
- Long lifetime
- Low noise level
- Integrated electronic thermal protection



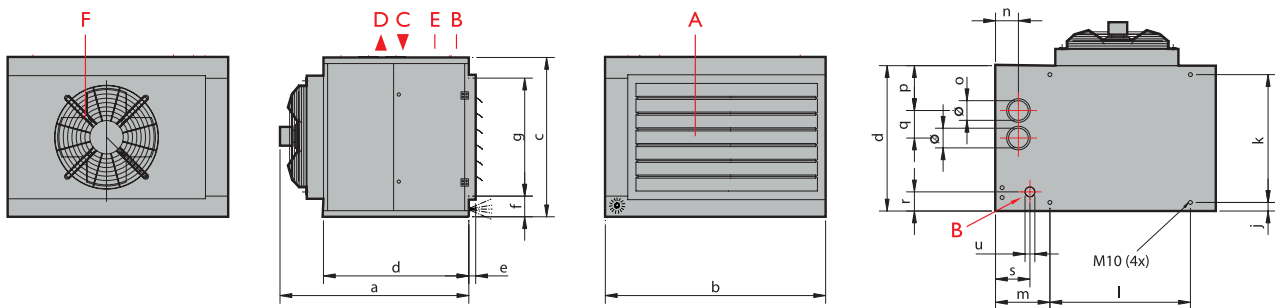
The GSX is operated using an Optitherm+ clock thermostat or an Interface+ module that allows a connection with the BMS (building management system) via Modbus.

Dimensions

- A = Horizontal louvres
- B = Gas connection
- C = Combustion air inlet
- D = Flue gas exhaust
- E = Electrical connection
- F = Axial fan



TYPE	a	b	c	d	e	f	g	h	i	j	k	l	m	n	o	p	q	r	s	u
20	790	760	410	700	40	15	380	210	60	70	560	485	255	70	80	150	120	80	175	1/2" (M)

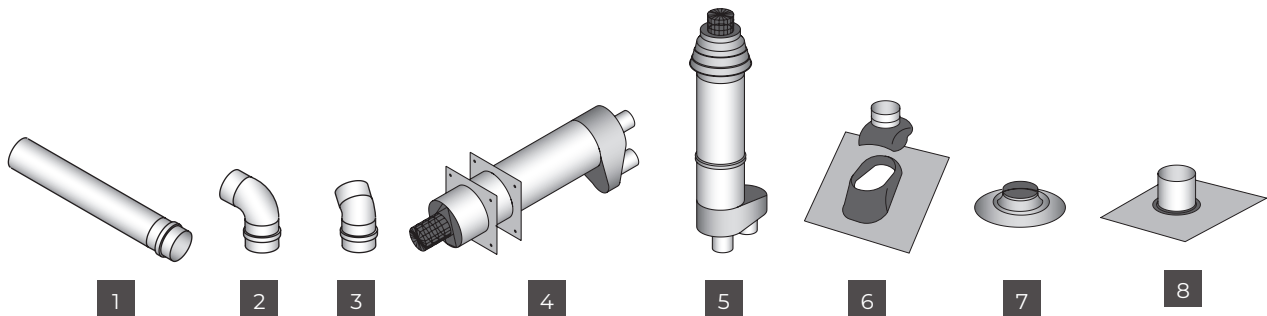


TYPE	a	b	c	d	e	f	g	h	i	j	k	l	m	n	o	p	q	r	s	u
35	969	875	810	739	35	105	600	165	110	90	560	470	275	120	80	240	120	97	135	3/4" (M)
55	969	1120	810	739	35	105	600	165	110	90	560	715	275	120	100	230	140	97	135	3/4" (M)
75	969	1305	810	739	35	105	600	165	110	90	560	890	275	120	100	230	140	97	135	1" (M)
90	979	1595	810	739	35	105	600	165	110	90	560	1180	275	120	100	230	140	97	135	1" (M)

Technical information

Type		20	35	55	75	90
Nominal load (lower value)	kW	14,5 - 10,2	34,9 - 24,2	51,3 - 35,9	72,0 - 50,4	90 - 63
Nominal load (upper value)	kW	16,1 - 11,3	38,8 - 26,9	57,0 - 39,9	80,0 - 56,0	100 - 70
Nominal power	kW	13,7 - 9,8	32,6 - 23,1	48,0 - 34,3	68,2 - 48,4	84,4 - 60,1
Flue efficiency max (lower value)	%	94,5	93,4	93,6	94,7	93,8
Flue efficiency min (lower value)	%	96,1	95,5	95,5	96,0	95,4
Gas consumption G25 (15 °C)	m ³ /h	1,8 - 1,2	4,2 - 2,9	6,19 - 4,33	8,69 - 6,1	10,86 - 7,6
Gas consumption G20 (15 °C)	m ³ /h	1,5 - 1,1	3,7 - 2,6	5,43 - 3,8	7,62 - 5,3	9,52 - 6,7
Gas consumption G31 (15 °C)	kg/h	1,13 - 0,79	2,72 - 1,89	3,99 - 2,79	5,59 - 3,91	6,99 - 4,89
Gas consumption G30 (15 °C)	kg/h	1,14 - 0,79	2,75 - 1,93	4,05 - 2,84	5,67 - 3,97	7,10 - 4,97
Air displacement (20 °C)	m ³ /h	2400-1800	5900-4800	9300-6300	14000-9200	16500-11800
Delta T (ΔT)	K	17,1-16,3	16,6-14,3	15,6-16,4	14,6-15,8	15,4-15,3
Throw	m	14	28	26	32	36
Weight	kg	50	89	101	123	139
Noise level (5 m, side)	dB(A)	52-48	59-53	60-48	66-53	62-53
Electrical power at 230V	W	200	410	650	1490	1050
Consumed current	A	0,9	1,9	2,9	6,8	4,8

Accessories – flue gas exhaust



1 Extension set

2 90° elbow

3 45° elbow

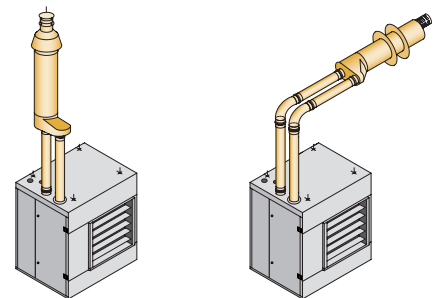
4 Single flue set horizontal

5 Single flue set vertical

6 Roof flashing for pitched roof

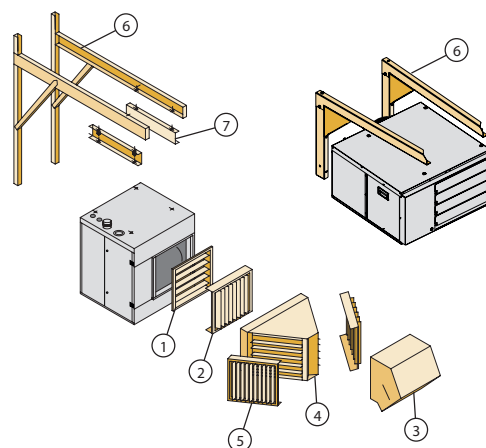
7 Adhesive plate

8 Flexible roof flashing for cladded roof

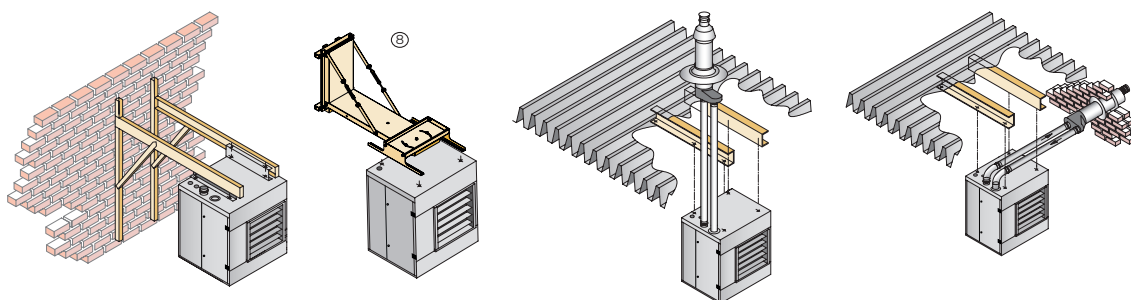


Accessories – additional sections

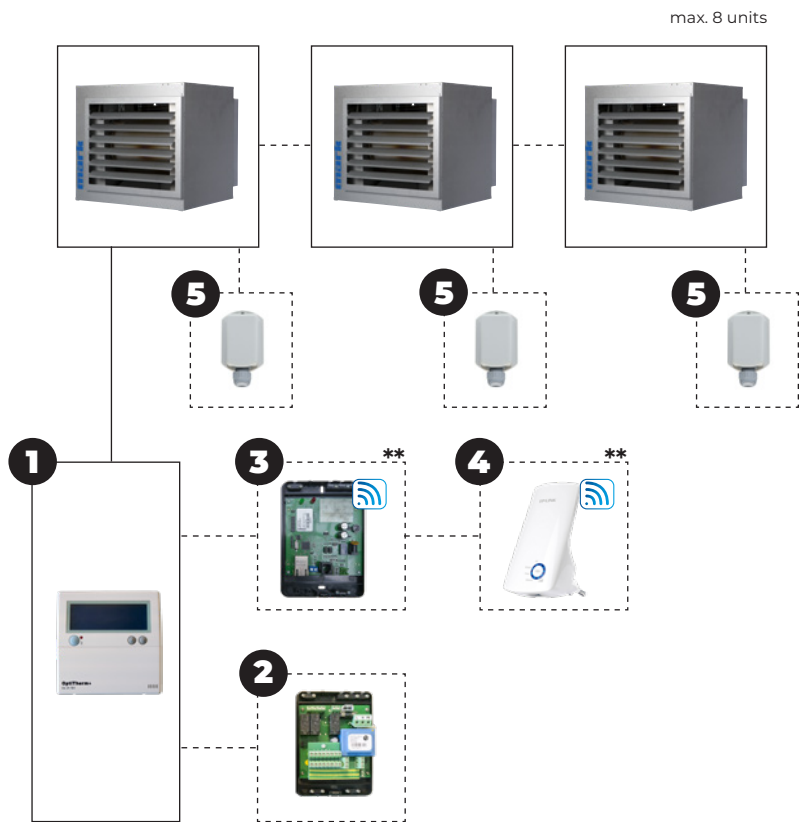
- 1 = Horizontal louvers (standard)
- 2 = Vertical louvres
- 3 = Downflow hood 45°
- 4 = Diffuser (2 x 45°) and horizontal louvres
- 5 = Vertical louvres for diffuser
- 6 = Set of wall mounting brackets
- 7 = Shock absorbers set
- 8 = Reversible wall bracket (types 20 - 55)



Assembly/location suggestions



Controls



Control combination options

Room temperature control

GSX + **1**

GSX + **1** + **5**

Room temperature control in combination with remote control

A remote connection with the mobile phone app is only possible when using a Web module. A WiFi bridge can be added to create a wireless connection.

GSX + **1** + **3**

GSX + **1** + **3** + **4**

GSX + **1** + **5** + **3**

GSX + **1** + **5** + **3** + **4**

Room temperature control in combination with Modbus

Allows you to read the status and change the settings of the Optitherm+.

GSX + **1** + **2** + **5**

GSX + **1** + **2**

Capacity control with external 0-10V signal or Modbus

Heating / Continuous ventilation / reset contacts / Modbus communication

GSX + **2**

** Temporarily unavailable

See price list GS+ for description and code numbers of the relevant items

