

ECOFAN P

Recirculation ceiling fan

Air displacement 22,000 m³/h.



For more information, downloads
and videos, visit the Ecofan P
page on our website

Silent and low maintenance air distributor

The ECOFAN P140 is particularly suited to better distributing hot air in a room. Achieving better distribution of air can reduce heating bills.

The ceiling fan is supplied without a position control. A reverse operating thermostat can also be supplied as an option so that the unit is switched on automatically if the temperature below the ceiling rises.

The ECOFAN P140 can, if desired, also be placed in low spaces thanks to a supplied rod of 150 mm.

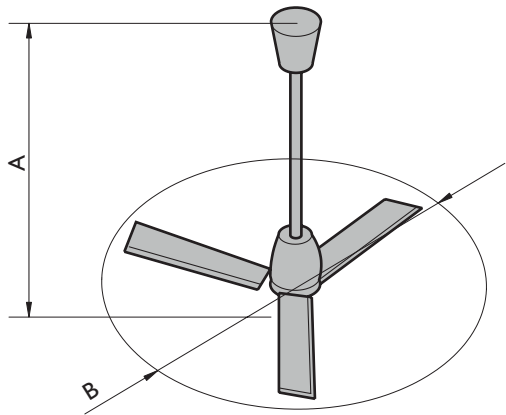
Possible applications include: factories, schools, churches, shops and offices.



Product features

- Large air displacement
- Supplied in RAL 9010 colour as standard
- Low noise
- Efficient
- Equipped with safety cord

Dimensions



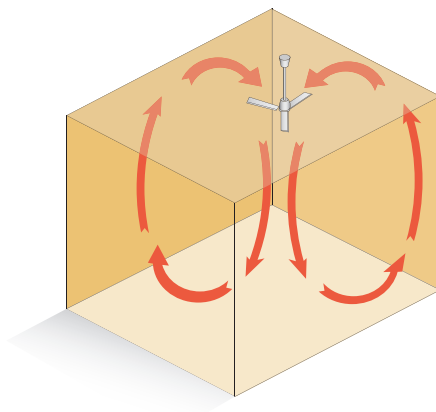
P140		
A	mm	610
B	mm	1400

Technical information

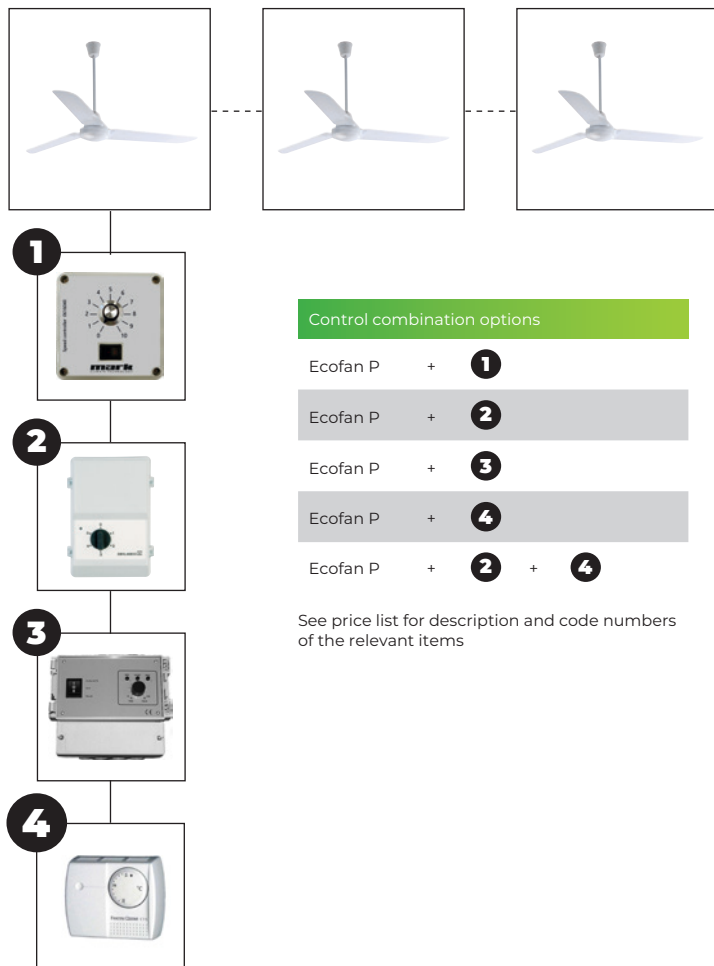
Type	P140	
Air displacement	m ³ /h	22.000
Motor rating	W	67
Consumed current	A	0.30
Motor speed	min ⁻¹	290
ø Fan	mm	1400
Supply voltage (50Hz)	V	1~230
Weight	kg	5,0
Suspension height	m	4-9

Number of fans

- Number of fans per 1000 m²: 12
- Covered m² per fan: 83



Controls



Control combination options

Ecofan P + **1**

Ecofan P + **2**

Ecofan P + **3**

Ecofan P + **4**

Ecofan P + **2** + **4**

See price list for description and code numbers of the relevant items