



# EASYAIR T200

## Recirculation air curtain

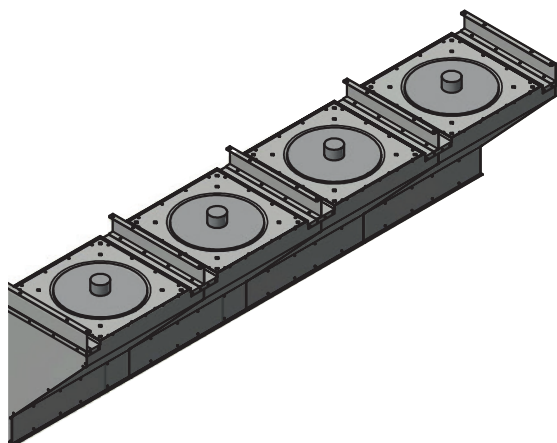
L15

Recirculation air curtain for industrial applications.

Air displacement 11.200 to 36.600 m<sup>3</sup>/h.



For more information, downloads  
and videos, visit the Easyair T200  
page on our website



#### Product features

- Economical
- Sharp pricing
- No maintenance required
- Speed controllable
- Low weight
- Easy installation
- Corrosion-resistant aluzinc housing
- Optional: vertical version
- Optional: gas-fired or water-supplied version

#### Keep cold and contaminated air outside

For industrial applications, Mark has the Easyair T200 in its product range. This industrial air curtain is available with 3, 4 or 5 fans, which can be combined to create the desired width. The air curtain is suitable for an installation height up to 8 metres.

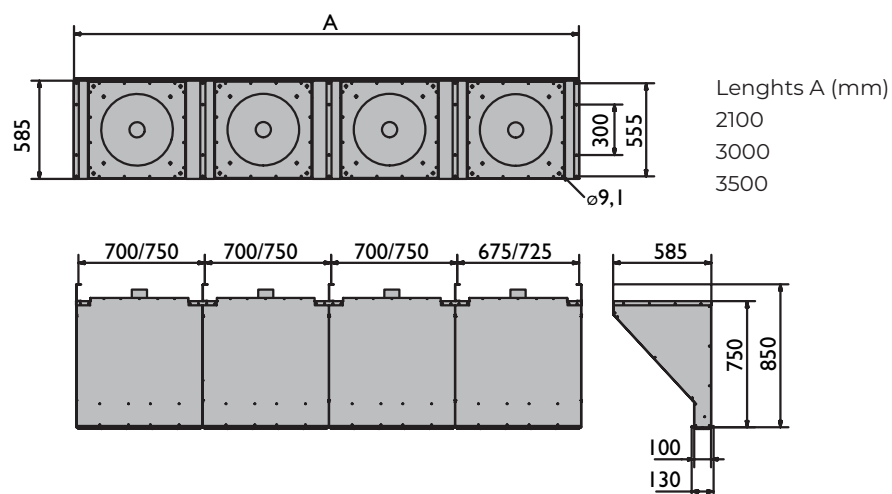
The EASYAIR T200 blows the warm air located at the top of the room down to the occupied area. Therefore, for this type of air curtain no heat source is required. It works simple and efficiently!

In addition to the Easyair T200, there is now also the Easyair T200+. This air curtain is equipped with water-fed heat exchangers, so that the unit can also blow out hot air.

Optional: speed controlled low noise 1~230V EC-motor with 0-10V control. Advantages:

- The highest efficiency in case of speed control
- Up to 50% energy saving in case of partial load
- Almost completely linearly adjustable
- Long lifetime
- Low noise level
- Integrated electronic thermal protection

## Dimensions



## Technical information

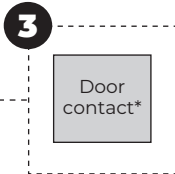
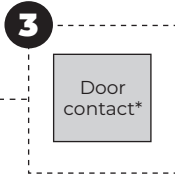
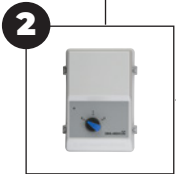
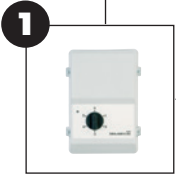
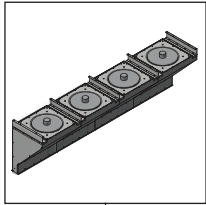
Type	Length mm	Air displacement m <sup>3</sup> /h	Connection voltage V	Current A	Weight kg	Mounting height m
T200 provided with 3 fans	2100	11200	400	1,53	93	4-8
T200 provided with 4 fans	3000	14900	400	2,04	130	4-8
T200 provided with 5 fans	3500	18650	400	2,55	153	4-8

It is possible to combine the above mentioned Easyair T200 air curtains to create the desired length.

## Assembly/location suggestions



## Controls



\* Not delivery by Mark

### Control combination options

Easyair T200	+	<b>1</b>		
Easyair T200	+	<b>2</b>		
Easyair T200	+	<b>1</b>	+	<b>3</b>
Easyair T200	+	<b>2</b>	+	<b>3</b>

See price list for description and code numbers of the relevant items

1 = on/off  
2 = high/low