



CEILFIT

Water-supplied radiation panel for
grid type ceiling

Steel radiation panel, available in standard grid ceiling dimensions.



For more information, downloads
and videos, visit the Ceilfit page
on our website

Radiant panel for grid type ceiling

The Mark CEILFIT gives a comfortable work and living environment through heating and cooling by convection and radiation. It is easy to regulate zones or rooms individually to ensure a pleasant surrounding. Due to the exclusion of radiators, extra wall and floor space is made available.

Our panels are compatible with grid type ceilings and can replace the standard tile without any additional work to the grid. The standard panels are available in common standard grid dimension, or as custom dimensions on request.

The Mark CEILFIT is constructed of RAL 9010 powder coated 0,7 mm steel sheet fused to copper tube. The copper tubing allows a quick and efficient heat or cooling transfer. The copper tubing is a 10x0,4mm high quality precision tubing that can withstand pressure up to 6 bar.

Panels can be optionally insulated with mineral wool with an aluminium foil layer. Dummy panels can be fitted to accommodate lightning, sensors, ventilation or other additions to the ceiling.

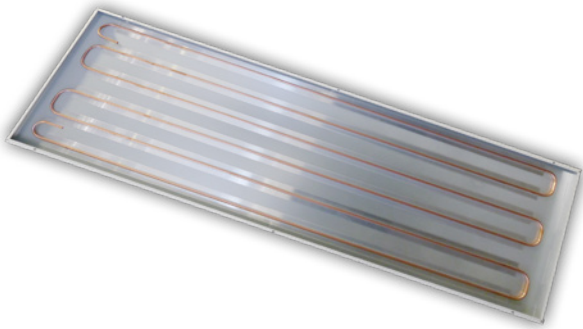
The panels are also available with perforation for a better sound absorption.

To support the weight of a fluid filled panel we strongly advise to add suspension wires from the panels to a structural part of the building or ceiling. The panels are accommodated with several holes to fix the suspension brackets or cables.

Intermediate panels are available for easy connection of a range of CEILFIT panels.

The Mark CEILFIT can be used in offices, schools, hospitals, public buildings and clinics.

All CEILFIT products are in accordance with the NEN-EN 13964 regulation.

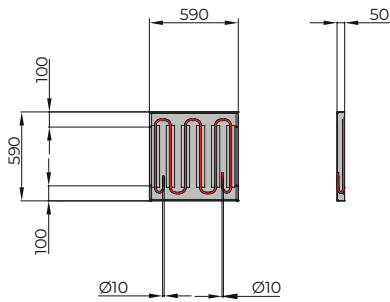


Product features

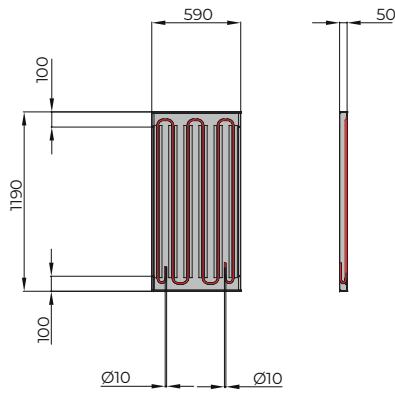
- Easy to clean
- Frees up floor and wall space
- Rapid warm up times, due to low water content
- Low air movement
- Low pressure drop (operating pressures)
- Low whole life costs - lack of moving parts
- Easily installed in standard T-Grid ceiling
- Cost efficient heating and cooling

Dimensions

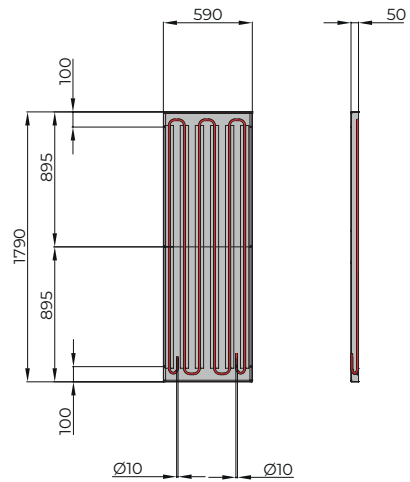
CEILFIT 600



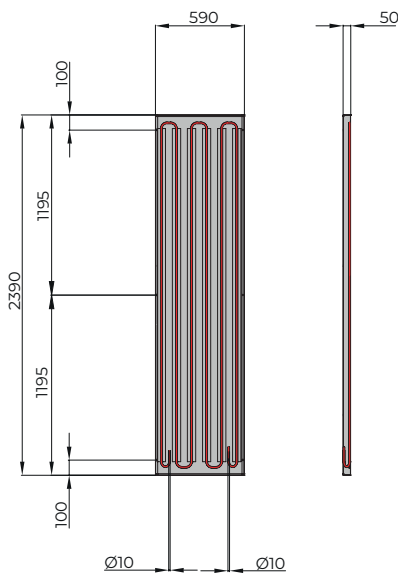
CEILFIT 1200



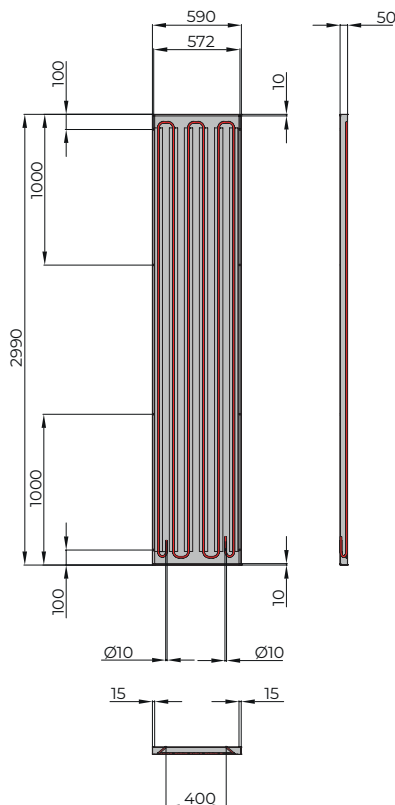
CEILFIT 1800



CEILFIT 2400



CEILFIT 3000



Type	Width	Length
	mm	mm
600	590	590
1200	590	1190
1800	590	1790
2400	590	2390
3000	590	2990

Technical information

Type		600	1200	1800	2400	3000
Panel weight without water content	kg	3,8	7,4	11,2	14,9	18,6
Panel weight with water content	kg	4,0	7,9	11,9	15,8	19,8

HEAT DELIVERY PER PANEL IN WATT

with insulation					
K	600	1200	1800	2400	3000
90	293	653	1012	1371	1729
89	289	644	998	1352	1706
88	285	635	984	1333	1682
87	281	628	972	1317	1662
86	277	619	959	1299	1638
85	274	611	947	1282	1618
84	270	602	933	1264	1594
83	266	594	921	1247	1574
82	262	586	907	1229	1550
81	259	578	895	1213	1530
80	255	570	883	1196	1509
79	251	561	870	1178	1486
78	248	554	858	1161	1466
77	244	545	844	1143	1442
76	241	537	832	1127	1422
75	237	529	820	1110	1401
74	233	520	806	1092	1378
73	230	513	794	1076	1357
72	226	505	782	1059	1337
71	222	496	768	1041	1313
70	219	488	756	1024	1293
69	215	480	744	1008	1272
68	212	473	732	992	1252
67	208	464	719	973	1228
66	204	456	707	957	1208
65	201	448	695	941	1187
64	197	441	683	925	1167
63	194	433	671	908	1146
62	190	424	657	890	1123
61	186	416	645	873	1102
60	183	408	633	857	1082
59	180	401	621	841	1061
58	176	393	609	825	1041
57	173	385	597	808	1020
56	169	377	585	792	999
55	166	370	573	776	979
54	162	362	561	760	958
53	159	354	549	743	938
52	155	346	537	727	917
51	152	339	525	711	897
50	148	331	513	695	876
49	145	323	501	678	856
48	141	315	489	662	835
47	138	309	478	648	818
46	135	301	466	632	797
45	131	293	454	616	777
44	128	286	442	599	756
43	124	278	430	583	736
42	122	271	420	569	718
41	118	263	408	553	698
40	115	256	396	537	677
39	112	249	386	523	659
38	108	241	374	506	639
37	105	234	362	490	618
36	102	227	352	476	601
35	98	219	340	460	580
34	95	213	329	446	563
33	92	205	317	430	542
32	89	198	307	416	525
31	85	190	295	400	504
30	82	184	285	386	487
29	79	177	274	372	469
28	76	169	262	355	448
27	73	163	252	341	431
26	70	156	242	328	413
25	66	148	230	311	393
24	63	142	220	297	375
23	61	135	209	283	358
22	58	128	199	269	340
21	55	122	189	256	322
20	52	115	178	242	305

without insulation					
K	600	1200	1800	2400	3000
90	353	789	1222	1656	2089
89	349	778	1206	1633	2061
88	344	768	1189	1611	2032
87	340	758	1175	1591	2008
86	335	748	1158	1569	1979
85	331	738	1144	1549	1954
84	326	727	1127	1527	1926
83	322	718	1112	1507	1901
82	317	707	1096	1484	1873
81	313	698	1081	1465	1848
80	309	689	1067	1445	1823
79	304	678	1050	1423	1795
78	300	669	1036	1403	1770
77	295	658	1019	1381	1742
76	291	649	1005	1361	1717
75	286	639	990	1341	1692
74	282	629	974	1319	1664
73	277	619	959	1299	1639
72	273	610	945	1280	1615
71	268	599	928	1257	1586
70	264	590	914	1238	1561
69	260	580	899	1218	1537
68	256	571	885	1198	1512
67	251	560	868	1176	1484
66	247	551	854	1156	1459
65	243	542	839	1137	1434
64	238	532	825	1117	1409
63	234	523	810	1097	1384
62	229	512	793	1075	1356
61	225	503	779	1055	1331
60	221	493	764	1035	1306
59	217	484	750	1016	1282
58	213	475	735	996	1257
57	208	465	721	977	1232
56	204	456	706	957	1207
55	200	447	692	937	1183
54	196	437	677	918	1158
53	192	428	663	898	1133
52	188	419	648	878	1108
51	183	409	634	859	1083
50	179	400	619	839	1059
49	175	390	605	819	1034
48	171	381	590	800	1009
47	167	373	578	783	988
46	163	364	563	763	963
45	159	354	549	744	938
44	155	345	534	724	913
43	150	336	520	704	889
42	147	328	508	688	867
41	143	318	493	668	843
40	138	309	479	648	818
39	135	301	466	631	797
38	131	292	452	612	772
37	126	282	437	592	747
36	123	274	425	575	726
35	119	265	410	556	701
34	115	257	398	539	680
33	111	247	383	519	655
32	107	239	371	502	634
31	103	230	356	483	609
30	99	222	344	466	588
29	96	214	331	449	567
28	92	205	317	429	542
27	88	197	305	413	520
26	84	189	292	396	499
25	80	179	278	376	474
24	77	171	265	359	453
23	73	163	253	342	432
22	69	155	240	326	411
21	66	147	228	309	389
20	62	139	215	292	368

K = Average water temperature - room temperature. Values for a mass flow of 0.02 litres per second/pipe.
 Maximum waterpressure: 6 Bar - Maximum water temperature: 80 °C - Heat delivery inline with EN 14037-5

When panels are installed below a height of 3 meter, the mean temperature of the panel should not be more than +45 °C in order to avoid radiation assymetry.

COOLING CAPACITY PER PANEL IN WATT

with insulation						without insulation					
K	600	1200	1800	2400	3000	K	600	1200	1800	2400	3000
15	52	117	181	246	310	15	61	136	204	285	360
14	49	108	168	228	288	14	57	126	189	265	334
13	45	100	155	210	265	13	52	116	174	244	308
12	41	92	142	193	243	12	48	106	160	223	282
11	37	83	129	175	221	11	43	97	145	203	257
10	34	75	116	157	199	10	39	87	131	183	231
9	30	67	104	141	178	9	35	78	117	163	206
8	26	59	91	124	156	8	31	68	102	143	181
7	23	51	79	107	135	7	26	59	88	124	156
6	19	43	67	91	114	6	22	50	75	105	132
5	16	35	55	74	93	5	18	41	61	86	109
4	12	28	43	58	73	4	14	32	48	67	85
3	9	20	31	42	54	3	11	23	35	49	62
2	6	13	20	27	34	2	7	15	23	32	40
1	3	6	10	13	16	1	3	7	10	14	18

K = Room temperature - average water temperature - . Values for a mass flow of 0.02 litres per second/pipe.

Maximum waterpressure: 6 Bar
Cooling capacity inline with EN 14240

When panels are used for cooling, it is recommended to use non-insulated panels.
Panel cooling is dry cooling. This type of cooling requires a dew point control system.

Relationship between the minimum mass flow and return temperature

