



CEILFIT ELECTRIC

Electric radiant heating panel

Heating capacity of 200W and 400W.



For more information, downloads and videos, visit the Ceilfit Electric page on our website

Electric radiant panels for suspended ceilings

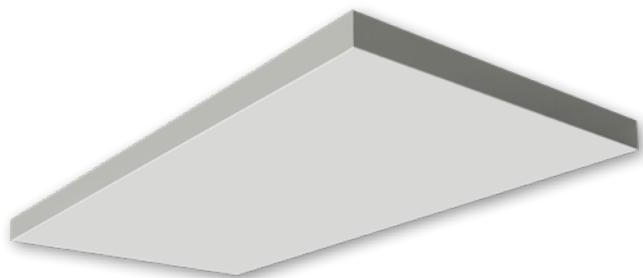
The Mark CEILFIT ELECTRIC is an electric radiant panel that provides a mild, even and comfortable heat. By using radiant panels it is easy to control zones or rooms individually to guarantee a pleasant temperature everywhere.

Our panels are compatible with grid type ceilings and can replace the standard tile without any additional work to the grid. The CEILFIT ELECTRIC panels are available in common standard grid dimension.

The Mark CEILFIT ELECTRIC is constructed from 0.7 mm steel plate with a RAL 9010 powder coating containing an electric heating element. The electric radiant panels are fully insulated with mineral wool with an aluminum foil layer to minimize heat loss through the top of the panel.

Dummy panels can be fitted to accommodate lighting, sensors, ventilation or other additions to the ceiling.

The Mark CEILFIT ELECTRIC is very suitable for rooms with installation heights between 2.5 and 3 meters and can be used in: offices, schools, hospitals, public buildings and clinics.

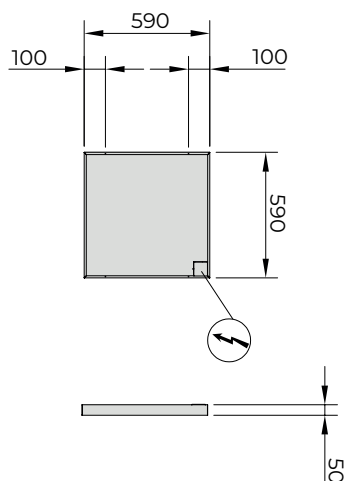


Product features

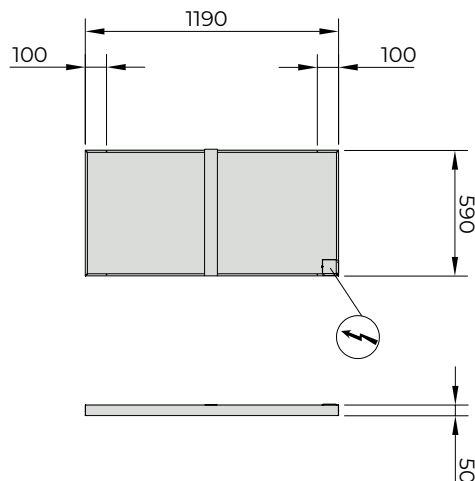
- Equipped with maximum temperature protection
- Equipped with suspension points
- Easy to clean
- Frees up floor and wall space
- Rapid warm up times
- Low air movement
- Low maintenance
- Easily installed in standard T-Grid ceiling
- Cost efficient heating and cooling

Dimensions

CEILFIT 600E



CEILFIT 1200E

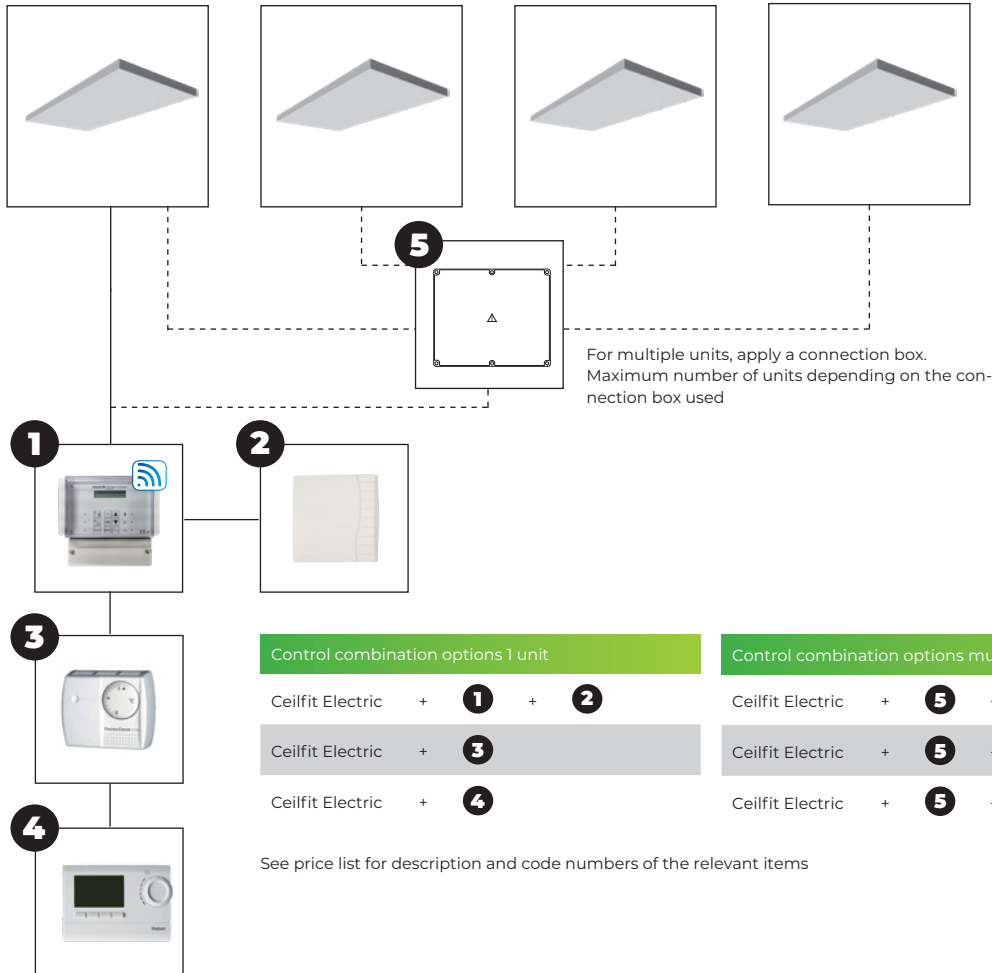


Technical information

Type		600E	1200E
Heating capacity	W	200	400
Voltage	V	230	230
Weight	kg	3,0	6,5
Consumed current	A	0,9	1,8
Internal fuse	A	2	2

Average surface temperature: 70 °C
 Maximum surface temperature: 100 °C

Controls



Control combination options 1 unit

- Ceilfit Electric + **1** + **2**
- Ceilfit Electric + **3**
- Ceilfit Electric + **4**

Control combination options multiple units

- Ceilfit Electric + **5** + **1** + **2**
- Ceilfit Electric + **5** + **3**
- Ceilfit Electric + **5** + **4**

See price list for description and code numbers of the relevant items