

# AWSV

## Dry coolers

V-Dry coolers with a single row of fans.



For more information, downloads  
and videos, visit the AWSV page  
on our website



#### Product features

- Optimized EC fans
- Multi circuit water connection
- Compact
- Quiet
- Robust
- Economical
- Completely wired up to the terminal box

#### V-Dry coolers with a single row of fans

De Mark AWSV is a serie of Dry Coolers with two coils and a single row of fans, arranged in a "V-shape". Both the standard version and the low-noise version are available in cooling capacities from 130 kW to 964 kW. Larger capacities on request.

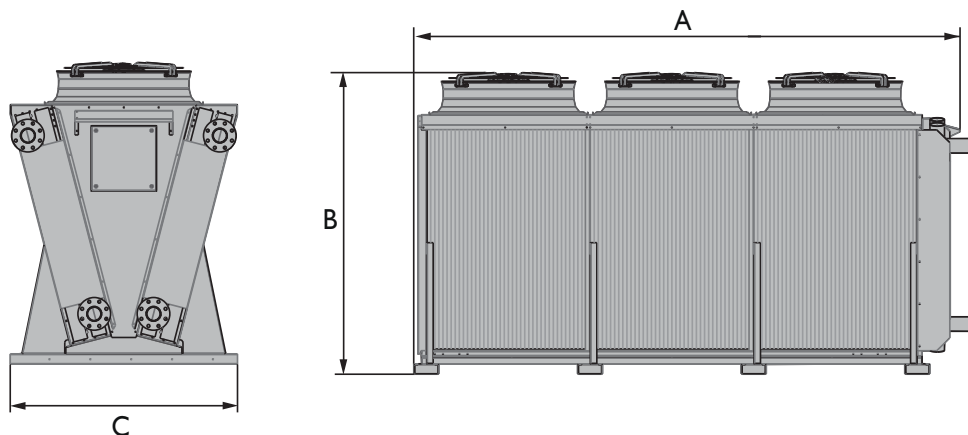
The AWSV Dry Coolers are compact and robust. They are made of galvanized steel for both horizontal and vertical mounting using the correct kit. The units are equipped with anchor and lifting points for placement.

The chassis and housing are fully protected with a paint layer with a high corrosion resistance that offers maximum weather resistance. The parts are each coated in RAL 9002 prior to assembly.

Mark single row V-Dry Coolers are equipped with heat exchangers with a copper tube and aluminum fins. They are equipped with a steel threaded connection.

The fans incorporate 3-phase asynchronous external rotor motors with IP54 protection level, class F insulation, with the possibility of connecting them in star or delta, having in this way two speeds of operation.

## Dimensions



AWSVN series - Ø 800 mm fans - standard version

Type	Number of fans	Surface m <sup>2</sup>	Internal volume dm <sup>3</sup>	Connection Ø	A mm	B mm	C mm	Weight kg
AWSVN-42C-130M	2	402	53	2"	2342	1875	1390	710
AWSVN-42D-148M		536	70					757
AWSVN-43C-195M	3	603	79	2"	3342	1875	1390	1029
AWSVN-43D-222M		804	106					1100
AWSVN-44C-261M	4	804	106	2" 1/2	4342	1875	1390	1275
AWSVN-44D-296M		1072	141					1370
AWSVN-45C-326M	5	1005	132	2" 1/2	5342	1875	1390	1560
AWSVN-45D-371M		1340	177					1679
AWSVN-46C-392M	6	1206	159	3"	6342	1875	1390	1834
AWSVN-46D-445M		1608	212					1976

AWSVB series - Ø 800 mm fans - low noise fans

Type	Number of fans	Surface m <sup>2</sup>	Internal volume dm <sup>3</sup>	Connection Ø	A mm	B mm	C mm	Weight kg
AWSVB-42C-97M	2	402	53	2"	2342	1875	1390	700
AWSVB-42D-108M		536	70					747
AWSVB-43C-146M	3	603	79	2"	3342	1875	1390	1014
AWSVB-43D-162M		804	106					1085
AWSVB-44C-195M	4	804	106	2" 1/2	4342	1875	1390	1255
AWSVB-44D-217M		1072	141					1350
AWSVB-45C-244M	5	1005	132	2" 1/2	5342	1875	1390	1535
AWSVB-45D-272M		1340	177					1654
AWSVB-46C-293M	6	1206	159	3"	6342	1875	1390	1804
AWSVB-46D-326M		1608	212					1946

AWSVN series - Ø 910 mm fans - standard version

Type	Number of fans	Surface m <sup>2</sup>	Internal volume dm <sup>3</sup>	Connection Ø	A mm	B mm	C mm	Weight kg
AWSVN-52C-195M		712	93					993
AWSVN-52D-220M	2	950	125	2" 1/2	3425	2047	1390	1076
AWSVN-52F-244M		1425	187					1242
AWSVN-53C-287M		1069	140					1405
AWSVN-53D-324M	3	1425	187	2" 1/2	4925	2047	1390	1531
AWSVN-53F-361M		2138	281					1781
AWSVN-54C-390M		1425	187					1919
AWSVN-54D-439M	4	190	250	3"	6425	2047	1390	2085
AWSVN-54F-488M		2851	375					2417
AWSVN-55C-493M		1781	234					2159
AWSVN-55D-555M	5	2375	312	4"	7925	2047	1390	2365
AWSVN-55F-615M		3563	469					2777
AWSVN-56C-535M		2382	273					2492
AWSVN-56D-618M	6	3176	364	4"	9425	2047	1390	2720
AWSVN-56F-715M		4624	546					3177
AWSVN-57C-629M		2779	319					2870
AWSVN-57D-727M	7	3705	425	4"	10925	2047	1390	3136
AWSVN-57F-840M		5558	638					3667
AWSVN-58D-835M		4235	486					3551
AWSVN-58F-964M	8	6353	729	5"	12425	2047	1390	4158

## Technical information

AWSVN series - Ø 800 mm fans - standard version

Type	~ 400v/50 Hz Connection Δ					~ 400v/50 Hz Connection Y				
	Capacity	Mass flow	Pressure drop	Power consumption	Sound	Capacity	Mass flow	Pressure drop	Power consumption	Sound
	kW	m <sup>3</sup> /h	kPa	kW	dB(A)	kW	m <sup>3</sup> /h	kPa	kW	dB(A)
AWSVN-42C-130M	130	23				106	18	26		
AWSVN-42D-148M	148	26	37	3,88	49	118	21	25	2,42	43
AWSVN-43C-195M	195	34				159	28	27		
AWSVN-43D-222M	222	39	38	5,82	51	177	31	26	3,63	45
AWSVN-44C-261M	261	45				212	37	28		
AWSVN-44D-296M	296	52	40	7,76	52	237	41	27	4,84	46
AWSVN-45C-326M	326	57				266	46	31		
AWSVN-45D-371M	371	64	45	9,7	53	297	52	30	6,05	47
AWSVN-46C-392M	392	68				319	56	34		
AWSVN-46D-445M	445	77	50	11,64	54	356	62	34	7,26	48

Room (environment) temperature = 25 °C. Water inlet T = 40 °C. Water outlet T = 35 °C.

## AWSVB series - Ø 800 mm fans - low noise fans

Type	~ 400v/50 Hz Connection Δ					~ 400v/50 Hz Connection Y				
	Capacity	Mass flow	Pressure drop	Power consumption	Sound	Capacity	Mass flow	Pressure drop	Power consumption	Sound
	kW	m <sup>3</sup> /h	kPa	kW	dB(A)	kW	m <sup>3</sup> /h	kPa	kW	dB(A)
AWSVB-42C-97M	97	17	22	1,66	41	85	15	17	1	38
AWSVB-42D-108M	108	19	21			93	16	16		37
AWSVB-43C-146M	146	25	23	2,49	43	128	22	18	1,5	39
AWSVB-43D-162M	162	28	22			140	24	17		39
AWSVB-44C-195M	195	34	24	3,32	44	170	30	19	2	41
AWSVB-44D-217M	217	38	23			187	32	18		40
AWSVB-45C-244M	244	42	26	4,15	45	213	37	21	2,5	41
AWSVB-45D-272M	272	47	26			234	41	20		41
AWSVB-46C-293M	293	51	29	4,98	46	256	45	23	3	42
AWSVB-46D-326M	326	57	29			281	49	22		42

Room (environment) temperature = 25 °C. Water inlet T = 40 °C. Water outlet T = 35 °C.

## AWSVN series - Ø 910 mm fans - standard version

Type	~ 400v/50 Hz Connection Δ					~ 400v/50 Hz Connection Y				
	Capacity	Mass flow	Pressure drop	Power consumption	Sound	Capacity	Mass flow	Pressure drop	Power consumption	Sound
	kW	m <sup>3</sup> /h	kPa	kW	dB(A)	kW	m <sup>3</sup> /h	kPa	kW	dB(A)
AWSVN-52C-195M	195	33	34		53	160	27	24		47
AWSVN-52D-220M	220	38	27	4,96	52	177	30	19	3,14	47
AWSVN-52F-244M	244	42	18		52	193	33	12		47
AWSVN-53C-287M	287	49	20		54	235	40	14		49
AWSVN-53D-324M	324	56	18	7,44	54	262	45	12	4,71	49
AWSVN-53F-361M	361	62	16		54	286	49	10		48
AWSVN-54C-390M	390	57	36		56	320	55	25		50
AWSVN-54D-439M	439	76	30	9,92	55	355	61	20	6,28	50
AWSVN-54F-488M	488	84	31		55	386	67	20		50
AWSVN-55C-493M	493	85	59		56	404	70	42		51
AWSVN-55D-555M	555	96	45	12,4	56	448	77	31	7,85	51
AWSVN-55F-615M	615	106	29		56	487	84	19		50
AWSVN-56C-535M	535	92	60		58	447	77	44		52
AWSVN-56D-618M	618	107	49	14,88	57	510	88	35	9,42	52
AWSVN-56F-715M	715	124	34		57	575	99	23		52
AWSVN-57C-629M	629	109	92		58	526	91	67		53
AWSVN-57D-727M	727	126	75	17,36	58	599	104	53	10,99	52
AWSVN-57F-840M	840	145	52		58	675	117	35		52
AWSVN-58D-835M	835	144	108	19,84	59	688	119	76	12,56	53
AWSVN-58F-964M	964	167	74		58	775	134	50		53

Room (environment) temperature = 25 °C. Water inlet T = 40 °C. Water outlet T = 35 °C.