



# AWS-EPA

## Dry coolers

Dry coolers with adiabatic cooling.



For more information, downloads and videos, visit the AWS-EPA page on our website



### AWS-EPA Adiabatic Dry Coolers

The Mark AWS-EPA adiabatic series is a range of Dry Coolers with an integrated adiabatic pre-cooler. This pre-cooling system is used to cool ambient air before it enters the coil, thereby ensuring an increase in cooling capacity and large energy savings.

The adiabatic dry coolers allow to obtain the following temperatures in the heat exchanger:

- DRY AREAS: 15°C below the maximum outside temperature.
- MEDIUM AND WET AREAS: between 10°C and 5°C below the maximum outside temperature.

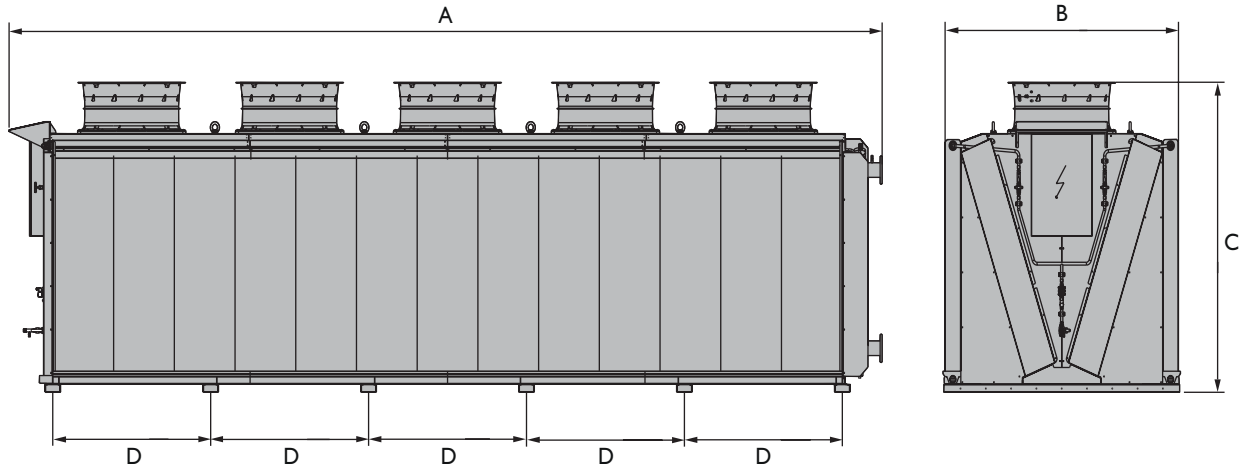
Water temperature target: 28-32°C.

The chassis and housing are fully protected with a paint layer with a high corrosion resistance that offers maximum weather resistance. The parts are each coated in RAL 9002 prior to assembly.

#### Product features

- Energy saving
- Water saving
- High efficiency evaporation
- Maintenance friendly
- Environmentally friendly
- Legionella proof
- Good controls

## Dimensions AWSN-EPA



AWSN-EPA series - Ø 910 mm fans - standard version

Type	Number of fans	Surface m <sup>2</sup>	Internal volume dm <sup>3</sup>	A mm	B mm	C mm	D mm
AWSN-EPA-52E-A/B/C	2	868	134	3118	2230	2421	1200
AWSN-EPA-53E-A/B/C	3	1302	202	4318	2230	2421	1200
AWSN-EPA-54E-A/B/C	4	1736	270	5518	2230	2421	1200
AWSN-EPA-55E-A/B/C	5	2170	337	6718	2230	2421	1200

## Technical information AWSN-EPA

### AWSN-EPA series - Ø 910 mm fans - standard version - Dry Environments

Type	~ 400v/50 Hz Connection						
	Capacity	Mass flow	Pressure drop	Power consumption	Sound	Connection	Weight
	kW	m <sup>3</sup> /h	kPa	kW	dB(A)	Ø	kg
AWSN-EPA-52E-A	209	36	36	8	58	2" 1/2	1390
AWSN-EPA-53E-A	314	54	39	12	60	2" 1/2	1920
AWSN-EPA-54E-A	424	73	77	16	61	3"	2690
AWSN-EPA-55E-A	517	90	29	20	62	3"	3120

Water inlet T = 35 °C. Water outlet T = 30 °C.

### AWSN-EPA series - Ø 910 mm fans - standard version - Medium Environments

Type	~ 400v/50 Hz Connection						
	Capacity	Mass flow	Pressure drop	Power consumption	Sound	Connection	Weight
	kW	m <sup>3</sup> /h	kPa	kW	dB(A)	Ø	kg
AWSN-EPA-52E-A	154	27	25	8	58	2"	1380
AWSN-EPA-53E-A	231	40	31	12	60	2"	1910
AWSN-EPA-54E-A	313	54	49	16	61	2" 1/2	2615
AWSN-EPA-55E-A	379	66	22	20	62	2" 1/2	3005

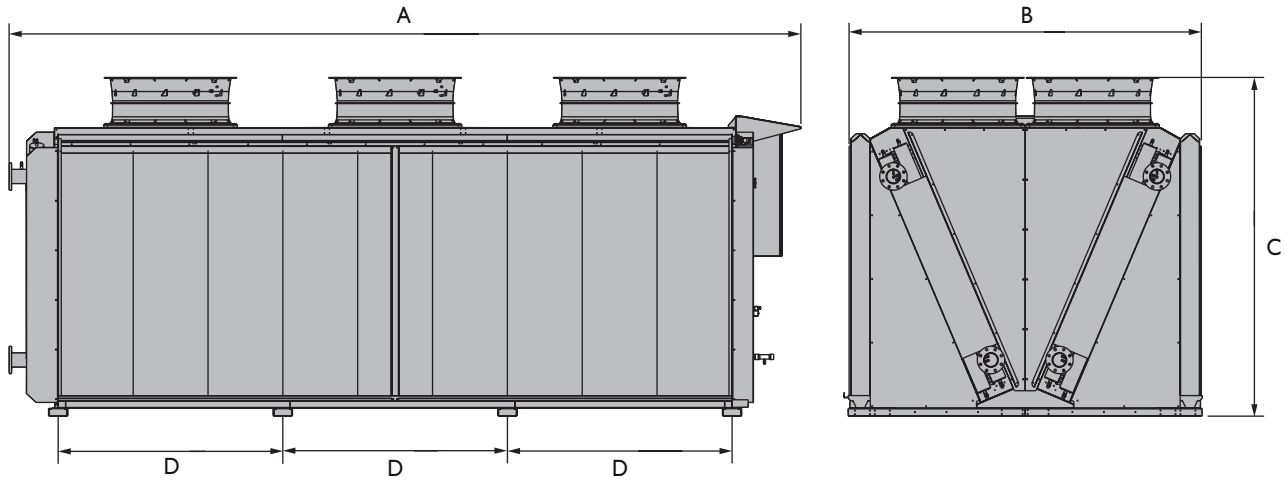
Water inlet T = 35 °C. Water outlet T = 30 °C.

### AWSN-EPA series - Ø 910 mm fans - standard version - Wet-Coastal Environments

Type	~ 400v/50 Hz Connection						
	Capacity	Mass flow	Pressure drop	Power consumption	Sound	Connection	Weight
	kW	m <sup>3</sup> /h	kPa	kW	dB(A)	Ø	kg
AWSN-EPA-52E-A	81	14	30	8	58	1" 1/2	1370
AWSN-EPA-53E-A	120	21	29	12	60	1" 1/2	1895
AWSN-EPA-54E-A	164	29	47	16	61	2"	2440
AWSN-EPA-55E-A	202	35	34	20	62	2"	3005

Water inlet T = 35 °C. Water outlet T = 30 °C.

## Dimensions AWSD-EPA



AWSD-EPA series - Ø 910 mm fans - standard version

Type	Number of fans	Surface m <sup>2</sup>	Internal volume dm <sup>3</sup>	A mm	B mm	C mm	D mm
AWSD-EPA-56F-A/B/C	6	2338	293	4468	2837	2715	1250
AWSD-EPA-58F-A/B/C	8	3117	391	5718	2837	2715	1250
AWSD-EPA-510F-A/B/C	10	3896	488	6968	2837	2715	1250

## Technical information AWSD-EPA

### AWSD-EPA series - Ø 910 mm fans - standard version - Dry Environments

Type	- 400v/50 Hz Connection						
	Capacity	Mass flow	Pressure drop	Power consumption	Sound	Connection	Weight
	kW	m <sup>3</sup> /h	kPa	kW	dB(A)	Ø	kg
AWSD-EPA-56F-A	512	89	41	24	65	3"	2885
AWSD-EPA-58F-A	694	120	73	32	67	4"	3725
AWSD-EPA-510F-A	840	146	27	40	67	4"	4640

Water inlet T = 35 °C. Water outlet T = 30 °C.

### AWSD-EPA series - Ø 910 mm fans - standard version - Medium Environments

Type	- 400v/50 Hz Connection						
	Capacity	Mass flow	Pressure drop	Power consumption	Sound	Connection	Weight
	kW	m <sup>3</sup> /h	kPa	kW	dB(A)	Ø	kg
AWSD-EPA-56F-A	396	67	62	24	65	3"	2880
AWSD-EPA-58F-A	510	88	50	32	67	3"	3690
AWSD-EPA-510F-A	647	112	79	40	67	4"	4630

Water inlet T = 35 °C. Water outlet T = 30 °C.

### AWSD-EPA series - Ø 910 mm fans - standard version - Wet-Coastal Environments

Type	- 400v/50 Hz Connection						
	Capacity	Mass flow	Pressure drop	Power consumption	Sound	Connection	Weight
	kW	m <sup>3</sup> /h	kPa	kW	dB(A)	Ø	kg
AWSD-EPA-56F-A	198	34	42	24	65	2" 1/2	2865
AWSD-EPA-58F-A	264	46	44	32	67	2" 1/2	3670
AWSD-EPA-510F-A	338	59	77	40	67	3"	4595

Water inlet T = 35 °C. Water outlet T = 30 °C.