

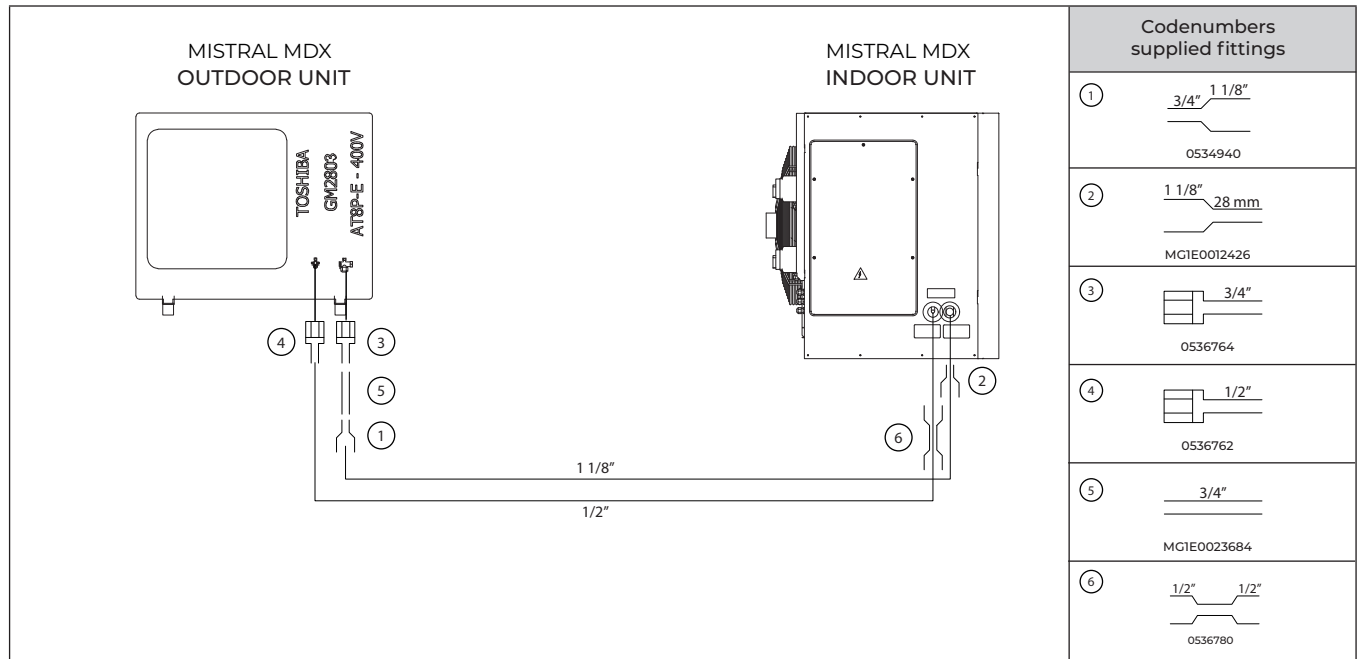
MISTRAL MDX 30/60 CONNECTION SPECIFICATIONS

The maximum height difference		The length of the refrigerant pipe	Max number of bends
Outdoor unit is above indoor unit	Outdoor unit below indoor unit		
30 m	30 m	min 5 m / max 100 m	<10

Only if the refrigerant pipe (1/2") exceeds 30 meter, add refrigerant for each additional meter (kg)

0.080

MISTRAL MDX 30 CONNECTION OVERVIEW



MISTRAL MDX 60 CONNECTION OVERVIEW

